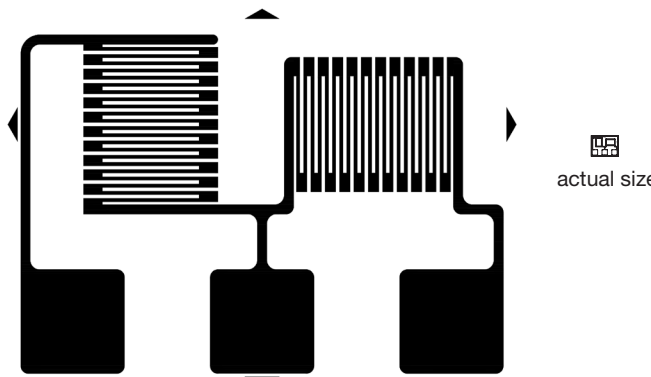

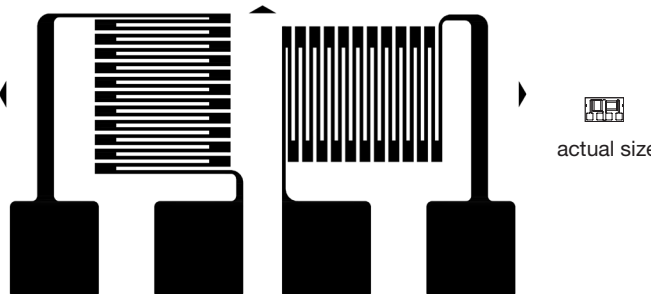



Transducer-Class® Strain Gages with Advanced Sensors Technology

GAGE PATTERN DATA			
	GAGE DESIGNATION	RESISTANCE IN OHMS	STD. CREEP CODE
	N2A-XX-S5209K-175/E5	175 ±0.2%	K*
	N2K-XX-S5038P-10C/DG/E3	1000 ±0.2%	P
	N5K-XX-S5038P-10C/DG/E3	1000 ±0.2%	P
	N2K-XX-S5039H-50C/DG/E5	5000 ±0.3%	H*
	N5K-XX-S5039H-50C/DG/E5	5000 ±0.3%	H*
DESCRIPTION Encapsulated 90° tee rosette.			 RoHS COMPLIANT

GAGE DIMENSIONS					
				inch	millimeter
Gage Length	Overall Length	Grid Width	Overall Width	Matrix Length	Matrix Width
0.033	0.092	0.051	0.130	0.10	0.14
0.83	2.34	1.30	3.30	2.7	3.6

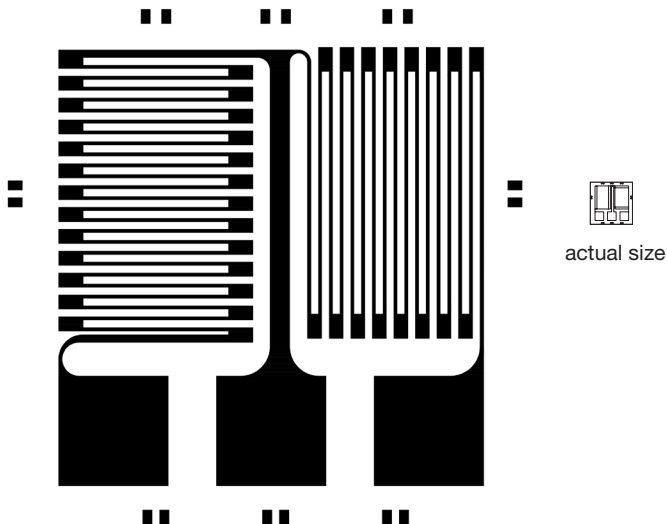

* Only creep code available for this gage.
Copper plating for tabs when applicable.

GAGE PATTERN DATA			
	GAGE DESIGNATION	RESISTANCE IN OHMS	STD. CREEP CODE
	N2K-XX-S5096Q-10C/DG/E3	1000 ±0.2%	Q*
	N5K-XX-S5096Q-10C/DG/E3	1000 ±0.2%	Q*
	N2K-XX-S5101M-50C/DG/E3	5000 ±0.2%	M*
	N5K-XX-S5101M-50C/DG/E3	5000 ±0.2%	M*
DESCRIPTION General-purpose 90° tee rosette.			 RoHS COMPLIANT

GAGE DIMENSIONS					
				inch	millimeter
Gage Length	Overall Length	Grid Width	Overall Width	Matrix Length	Matrix Width
0.034	0.102	0.055	0.182	0.12	0.20
0.85	2.59	1.41	4.62	3.1	5.0

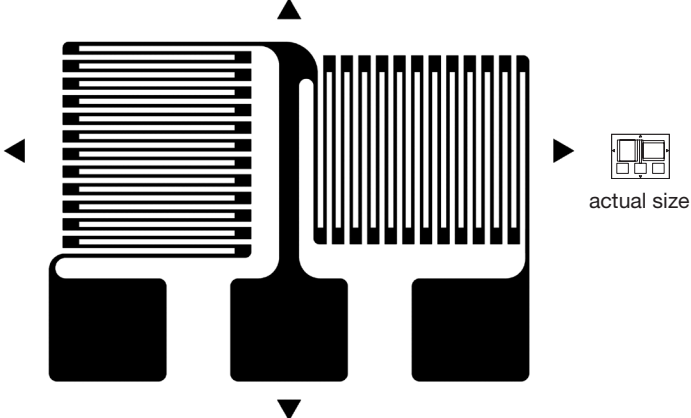

* Only creep code available for this gage.
Copper plating for tabs is available.

Transducer-Class® Strain Gages with Advanced Sensors Technology

GAGE PATTERN DATA			
 <p>actual size</p>	GAGE DESIGNATION N2A-XX-S5189R-175/E5 N2A-XX-S5161R-350/E5	RESISTANCE IN OHMS 175 ±0.2% 350 ±0.2%	STD. CREEP CODE R* R*
	DESCRIPTION Designed for half-bridge transducers.		 RoHS COMPLIANT

GAGE DIMENSIONS					
				inch	millimeter
Gage Length	Overall Length	Grid Width	Overall Width	Matrix Length	Matrix Width
0.100	0.175	0.120	0.175	0.22	0.22
2.54	4.44	3.00	4.44	5.6	5.6

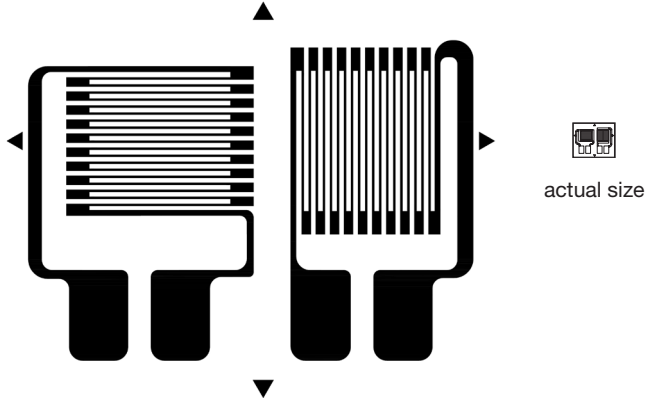

* Only creep code available for this gage.

GAGE PATTERN DATA			
 <p>actual size</p>	GAGE DESIGNATION N2A-XX-S5129N-350/E4 N2A-XX-S5152P-10C/E4	RESISTANCE IN OHMS 350 ±0.2% 1000 ±0.2%	STD. CREEP CODE N P
	DESCRIPTION General-purpose, three-tab 90° tee rosette.		 RoHS COMPLIANT

GAGE DIMENSIONS					
				inch	millimeter
Gage Length	Overall Length	Grid Width	Overall Width	Matrix Length	Matrix Width
0.080	0.165	0.110	0.246	0.23	0.30
2.03	4.20	2.79	6.25	5.8	7.6

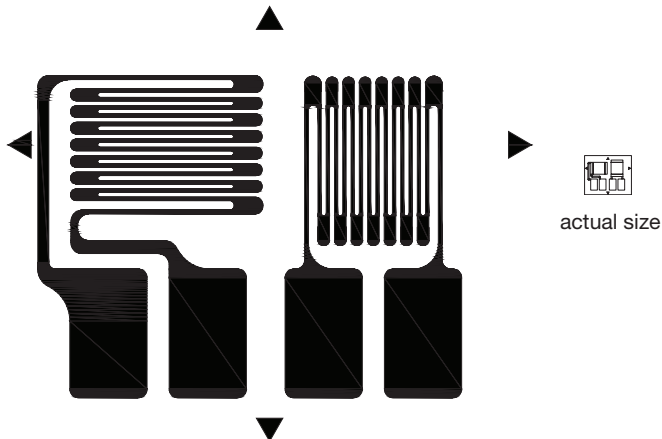

* Only creep code available for this gage.

Transducer-Class® Strain Gages with Advanced Sensors Technology

S5195 GAGE PATTERN DATA			
	GAGE DESIGNATION	RESISTANCE IN OHMS	STD. CREEP CODE
	N2A-XX-S5195R-350/E5	350 ±0.2%	R*
DESCRIPTION General-purpose, four-tab 90° tee rosette.			

GAGE DIMENSIONS					
				inch	millimeter
Gage Length	Overall Length	Grid Width	Overall Width	Matrix Length	Matrix Width
0.062	0.137	0.062	0.160	0.18	0.22
1.57	3.48	1.57	4.07	4.6	5.6

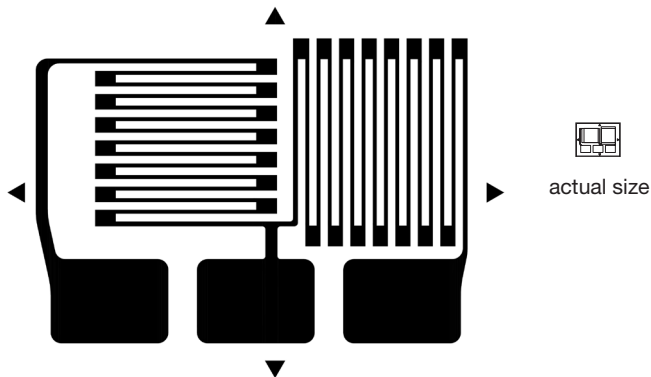

* Only creep code available for this gage.

S5190 GAGE PATTERN DATA			
	GAGE DESIGNATION	RESISTANCE IN OHMS	STD. CREEP CODE
	N2K-XX-S5190T-350/DP/E5 N5K-XX-S5190T-350/DP/E5	350 ±0.2% 350 ±0.2%	T* T*
DESCRIPTION General-purpose, four-tab 90° tee rosette.			

GAGE DIMENSIONS					
				inch	millimeter
Gage Length	Overall Length	Grid Width	Overall Width	Matrix Length	Matrix Width
0.062	0.157	0.062	0.178	0.20	0.25
1.57	3.98	1.57	4.51	5.2	6.2

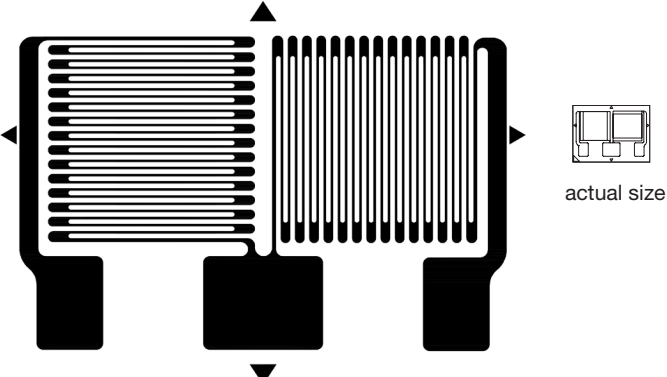

* Only creep code available for this gage.
Copper plating for tabs is available.

Transducer-Class® Strain Gages with Advanced Sensors Technology

S5115 GAGE PATTERN DATA			
 <p>actual size</p>	GAGE DESIGNATION	RESISTANCE IN OHMS	STD. CREEP CODE
	N2K-XX-S5115T-350/DG/E3 N5K-XX-S5115T-350/DG/E3	350 ±0.2% 350 ±0.2%	T* T*
DESCRIPTION General-purpose, three-tab 90° tee rosette.			 RoHS COMPLIANT

GAGE DIMENSIONS					
				inch	millimeter
Gage Length	Overall Length	Grid Width	Overall Width	Matrix Length	Matrix Width
0.100	0.245	0.100	0.170	0.31	0.23
2.54	6.22	2.54	4.32	7.7	5.8

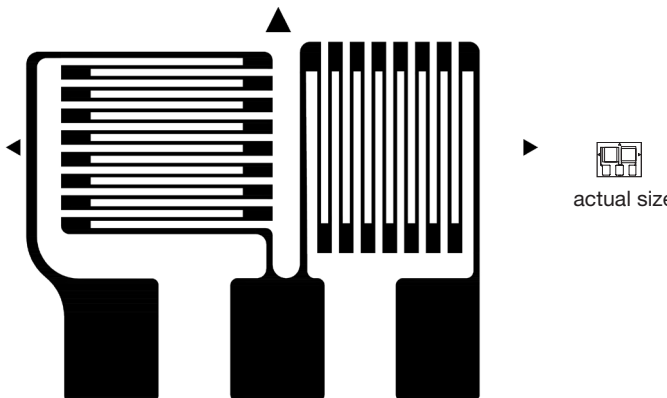

* Only creep code available for this gage.
Copper plating for tabs is available.

S5255 GAGE PATTERN DATA			
 <p>actual size</p>	GAGE DESIGNATION	RESISTANCE IN OHMS	STD. CREEP CODE
	N2A-XX-S5255W-350/E5	350 ±0.2%	W*
DESCRIPTION General-purpose, three-tab 90° tee rosette.			 RoHS COMPLIANT

GAGE DIMENSIONS					
				inch	millimeter
Gage Length	Overall Length	Grid Width	Overall Width	Matrix Length	Matrix Width
0.125	0.235	0.150	0.340	0.30	0.40
3.18	5.97	3.81	8.64	7.5	10.2

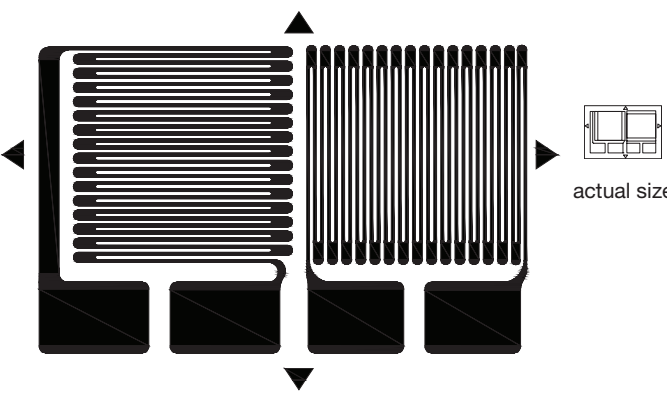

* Only creep code available for this gage.

Transducer-Class® Strain Gages with Advanced Sensors Technology

S5284 GAGE PATTERN DATA			
 <p>actual size</p>	GAGE DESIGNATION	RESISTANCE IN OHMS	STD. CREEP CODE
	N2A-XX-S5284T-10C/E5	1000 ±0.2%	T*
DESCRIPTION General-purpose, three-tab 90° tee rosette.			 RoHS COMPLIANT

GAGE DIMENSIONS					
				inch	millimeter
Gage Length	Overall Length	Grid Width	Overall Width	Matrix Length	Matrix Width
0.063	0.149	0.075	0.182	0.18	0.23
1.60	3.78	1.91	4.62	4.5	5.8

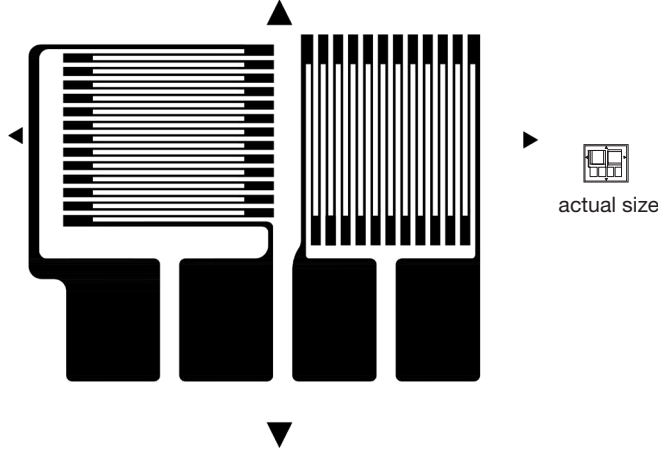

* Only creep code available for this gage.

S5302 GAGE PATTERN DATA			
 <p>actual size</p>	GAGE DESIGNATION	RESISTANCE IN OHMS	STD. CREEP CODE
	N2A-XX-S5302W-350/E5 N2A-XX-S5302W-350/E5	350 ±0.2% 350 ±0.2%	W* W*
DESCRIPTION General-purpose, four-tab 90° tee rosette.			 RoHS COMPLIANT

GAGE DIMENSIONS					
				inch	millimeter
Gage Length	Overall Length	Grid Width	Overall Width	Matrix Length	Matrix Width
0.125	0.218	0.150	0.340	0.28	0.40
3.18	5.53	3.81	8.64	7.00	10.2

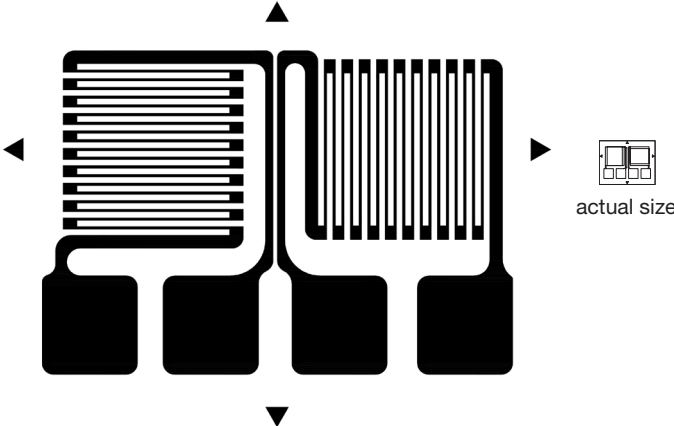

* Only creep code available for this gage.

Transducer-Class® Strain Gages with Advanced Sensors Technology

S5194 GAGE PATTERN DATA			
	GAGE DESIGNATION	RESISTANCE IN OHMS	STD. CREEP CODE
	N2A-XX-S5194T-10C/E5	1000 ±0.2%	T*
DESCRIPTION General-purpose, four-tab 90° tee rosette.			

GAGE DIMENSIONS						inch	millimeter
Gage Length	Overall Length	Grid Width	Overall Width	Matrix Length	Matrix Width		
0.063	0.142	0.075	0.182	0.19	0.23		
1.60	3.60	1.91	4.62	4.9	5.8		

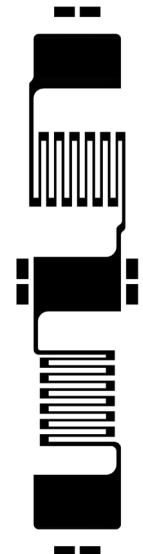

* Only creep code available for this gage.

S5226 GAGE PATTERN DATA			
	GAGE DESIGNATION	RESISTANCE IN OHMS	STD. CREEP CODE
	N2A-XX-S5226M-10C/E5	1000 ±0.2%	M*
DESCRIPTION General-purpose, four-tab 90° tee rosette.			

GAGE DIMENSIONS						inch	millimeter
Gage Length	Overall Length	Grid Width	Overall Width	Matrix Length	Matrix Width		
0.079	0.165	0.098	0.243	0.23	0.29		
2.01	4.20	2.50	6.18	5.8	7.4		

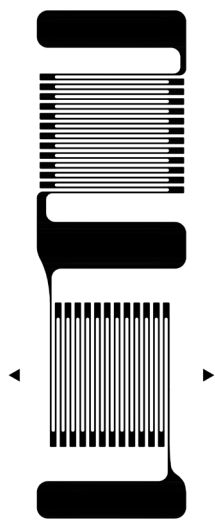

* Only creep code available for this gage.

Transducer-Class® Strain Gages with Advanced Sensors Technology

S5045 GAGE PATTERN DATA			
 <p style="text-align: center;">actual size</p>	GAGE DESIGNATION	RESISTANCE IN OHMS	STD. CREEP CODE
	N2K-XX-S5045H-10C/DG/E5 N5K-XX-S5045H-10C/DG/E5	1000 ±0.2% 1000 ±0.2%	H* H*
DESCRIPTION Often used on small column transducers.			 RoHS COMPLIANT

GAGE DIMENSIONS						inch	millimeter
Gage Length	Overall Length	Grid Width	Overall Width	Matrix Length	Matrix Width		
0.033	0.291	0.056	0.056	0.33	0.08		
0.80	7.40	1.40	1.40	8.4	2.0		

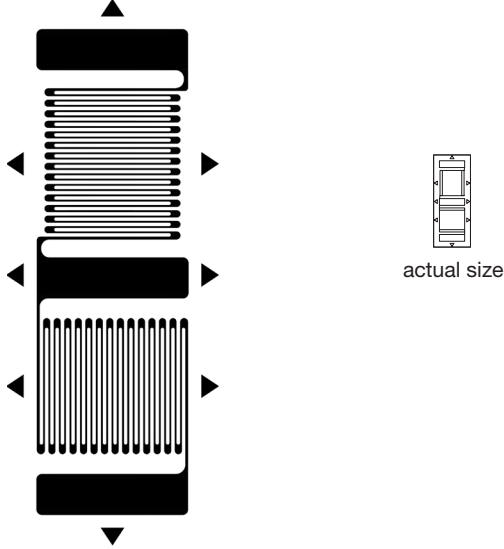

* Only creep code available for this gage.
Copper plating for tabs is available.

S5204 GAGE PATTERN DATA			
 <p style="text-align: center;">actual size</p>	GAGE DESIGNATION	RESISTANCE IN OHMS	STD. CREEP CODE
	N2A-XX-S5204Q-350/E5	350 ±0.2%	Q*
DESCRIPTION Often used on column transducers.			 RoHS COMPLIANT

GAGE DIMENSIONS						inch	millimeter
Gage Length	Overall Length	Grid Width	Overall Width	Matrix Length	Matrix Width		
0.062	0.272	0.062	0.080	0.31	0.12		
1.57	6.92	1.57	2.03	7.9	3.0		

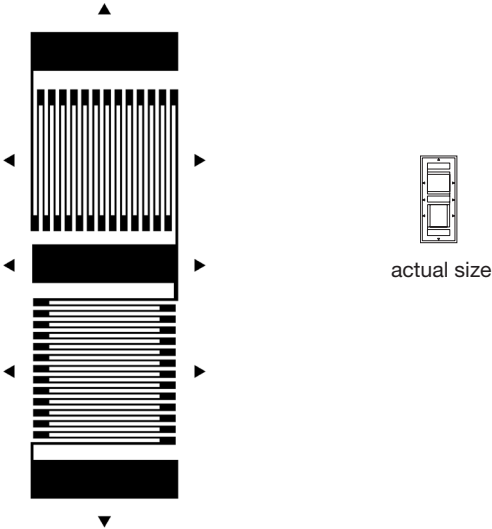

* Only creep code available for this gage.

Transducer-Class® Strain Gages with Advanced Sensors Technology

S5248 GAGE PATTERN DATA			
 <p>actual size</p>	GAGE DESIGNATION	RESISTANCE IN OHMS	STD. CREEP CODE
	N2A-XX-S5248P-350/E5	350 ±0.2%	P*
DESCRIPTION			 <p>Pb-free RoHS COMPLIANT</p>
Often used on column transducers.			

GAGE DIMENSIONS						inch	millimeter
Gage Length	Overall Length	Grid Width	Overall Width	Matrix Length	Matrix Width		
0.100	0.415	0.130	0.130	0.48	0.19		
2.54	10.54	3.30	3.30	12.1	4.8		

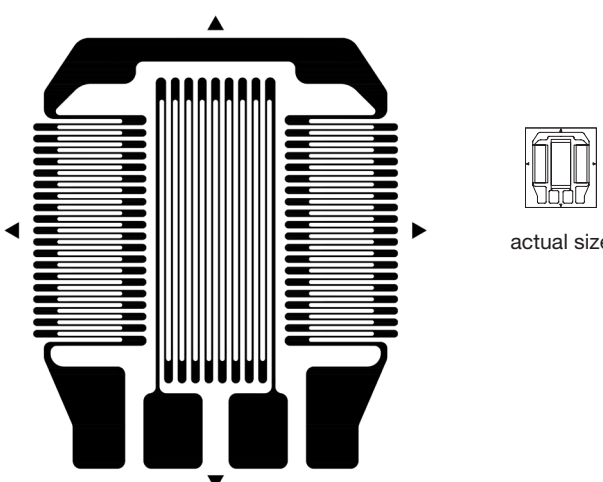

* Only creep code available for this gage.

S5086 GAGE PATTERN DATA			
 <p>actual size</p>	GAGE DESIGNATION	RESISTANCE IN OHMS	STD. CREEP CODE
	N2K-XX-S5086V-10C/DG/E3 N5K-XX-S5086V-10C/DG/E3	1000 ±0.2% 1000 ±0.2%	V* V*
DESCRIPTION			 <p>Pb-free RoHS COMPLIANT</p>
Often used on column transducers.			

GAGE DIMENSIONS						inch	millimeter
Gage Length	Overall Length	Grid Width	Overall Width	Matrix Length	Matrix Width		
0.100	0.415	0.130	0.130	0.48	0.19		
2.54	10.54	3.30	3.30	12.1	4.8		

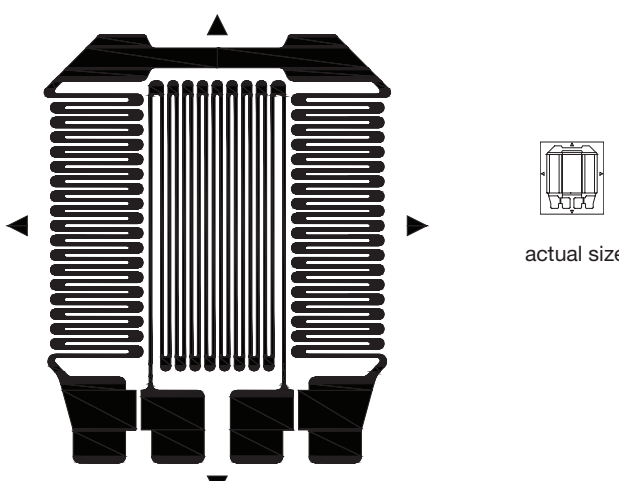

* Only creep code available for this gage.
Copper plating for tabs is available.

Transducer-Class® Strain Gages with Advanced Sensors Technology

S5257 GAGE PATTERN DATA			
	GAGE DESIGNATION	RESISTANCE IN OHMS	STD. CREEP CODE
	N2A-XX-S5257Y-350/E5	350 ±0.2%	Y*
DESCRIPTION Used on high-accuracy column load cells. (1) Gage length is 0.200 in (5.1 mm). (2) Transverse gage length is 0.050 in (1.27 mm).			

GAGE DIMENSIONS						inch	millimeter
Gage Length	Overall Length	Grid Width	Overall Width	Matrix Length	Matrix Width		
(1)	0.294	(2)	0.242	0.37	0.33		
(1)	7.48	(2)	6.14	9.4	8.4		

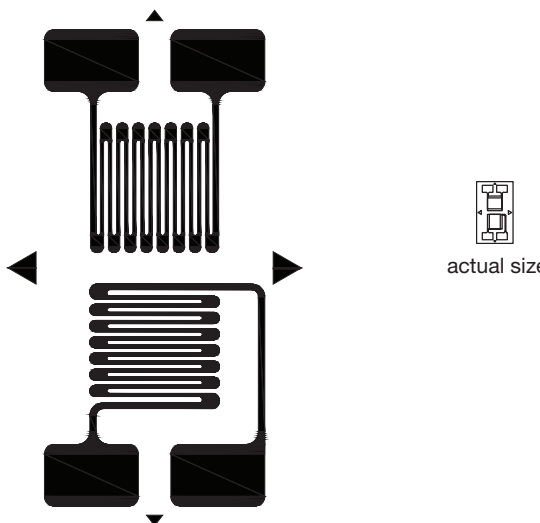

* Only creep code available for this gage.

GAGE PATTERN DATA			
	GAGE DESIGNATION	RESISTANCE IN OHMS	STD. CREEP CODE
	N2A-XX-S5345R-700/E5 N2A-XX-S5346T-10C/E5	700 ±0.2% 1000 ±0.2%	R* T*
DESCRIPTION Used on high-accuracy column load cells. (1) Gage length is 0.200 in (5.1 mm). (2) Transverse gage length is 0.050 in (1.27mm).			

GAGE DIMENSIONS						inch	millimeter
Gage Length	Overall Length	Grid Width	Overall Width	Matrix Length	Matrix Width		
(1)	0.325	(2)	0.240	0.38	0.33		
(1)	8.25	(2)	6.10	9.5	8.4		

* Only creep code available for this gage.

Transducer-Class® Strain Gages with Advanced Sensors Technology

S5376 GAGE PATTERN DATA			
 <p>actual size</p>	GAGE DESIGNATION	RESISTANCE IN OHMS	STD. CREEP CODE
	N2A-XX-S5376H-350/E3	350 ±0.2%	H*
DESCRIPTION Miniature 90° tee rosette with tabs on opposite sides			

GAGE DIMENSIONS					
				inch	millimeter
Gage Length	Overall Length	Grid Width	Overall Width	Matrix Length	Matrix Width
0.030	0.147	0.040	0.067	0.17	0.10
0.75	3.74	1.00	1.72	4.3	2.5

* Only creep code available for this gage.