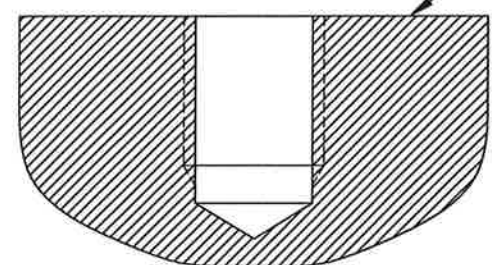
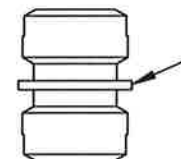
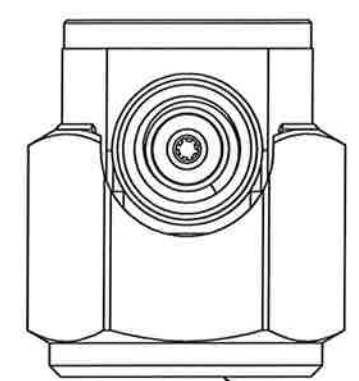
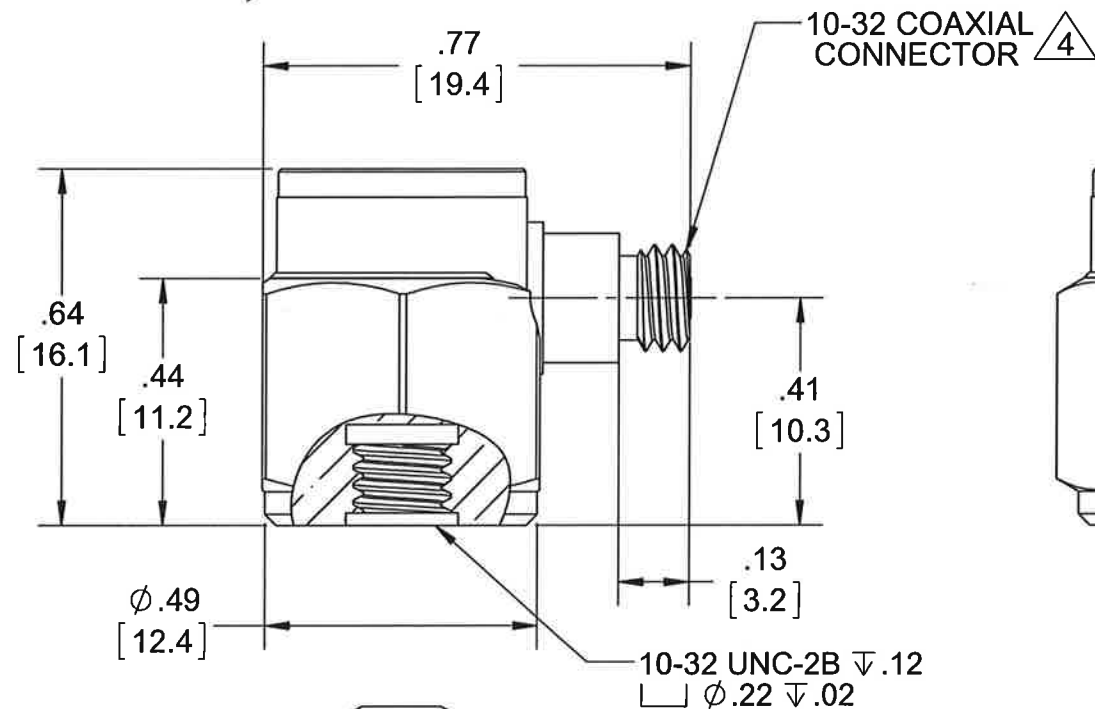
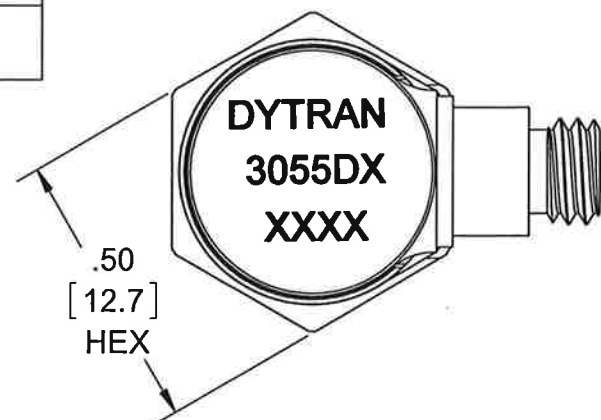


PROPRIETARY AND CONFIDENTIAL

THE INFORMATION CONTAINED IN THIS DRAWING IS THE SOLE PROPERTY OF DYTRAN INSTRUMENTS INC. ANY REPRODUCTION IN PART OR AS A WHOLE WITHOUT THE WRITTEN PERMISSION OF DYTRAN INSTRUMENTS INC. IS PROHIBITED

REVISIONS					
REV.	ECN	DESCRIPTION	BY/DATE	CHK	APPR
A	11394	INITIAL RELEASE	RA, 11/05/14	EM	<i>[Signature]</i>

MODEL	SENSITIVITY
3055D1	10 mV/g
3055D2	100 mV/g
3055D3	500 mV/g
3055D4	50 mV/g
3055D5	20 mV/G
3055D6	200 mV/g



**MOUNTING SURFACE HOLE PREPARATION:**  
 SELECT SURFACE FLAT TO .001 TIR  
 TAP 10-32 UNF-2B X .200 MIN THD DEPTH

4 MATES WITH DYTRAN 6010AXX OR 6011AXX CABLE (XX=LENGTH IS FEET)

3. WEIGHT: 10 GRAMS, MAX.

2 ARROW INDICATES ACCELERATION DIRECTION FOR POSITIVE OUTPUT.

1. MATERIAL: TITANIUM ALLOY

NOTES: UNLESS OTHERWISE SPECIFIED

UNLESS OTHERWISE SPECIFIED:  
 INTERPRET DIM & TOL PER ASME Y14.5M - 1994.  
 REMOVE BURRS.  
 COUNTERSINK INTERNAL THDS 90° TO MAJOR DIA.  
 CHAM EXT THDS 45° TO MINOR DIA.  
 THD LENGTHS AND DEPTHS ARE FOR MIN FULL THDS.  
 DIMENSIONS APPLY AFTER FINISHING.

UNLESS OTHERWISE SPECIFIED:  
 DECIMALS TOLERANCES ARE:  
 .XX ±.01 ANGLES ±1°  
 .XXX ±.005

APPROVALS		DATE
DRAWN	RA	05/29/14
DESIGN	RA	01/23/14
CHK	EM	12/17/14
APP	<i>[Signature]</i>	12/17/14

ALL MACHINED SURFACES.  
 TOTAL RUNOUT WITHIN .005.  
 BREAK SHARP EDGES .005 TO .010.  
 MACHINED FILLET RADII .005 TO .015.  
 WELDING SYMBOLS PER AWS A2.4.  
 ABBREVIATIONS PER MIL-STD-12.

DO NOT SCALE DRAWING

**DYTRAN INSTRUMENTS, INC.** MASTER COPY ONLY IN RED  
 Chatsworth, CA

TITLE: **OUTLINE/INSTALLATION, ACCEL, ISOLATED, 10 MV/G, SIDE 10-32 CONN**

SIZE B	CAGE CODE 2W033	DWG NO 127-3055D	REV A
SCALE: 3:1	PART NO:	SHEET 1 OF 1	

<b>Model Number</b> 3055D1	<b>PERFORMANCE SPECIFICATIONS</b>	<b>DOC NO</b> PS3055D1
<b>IEPE ACCELEROMETER</b>		REV E, ECN 13042, 10/28/16



- HERMETICALLY SEALED
- BASE ISOLATED
- IDEAL LOW FREQUENCY RESPONSE

ENGLISH		SI	
Weight	0.35 oz	10	grams
Connector Type	10-32	10-32	
Mounting Provision	10-32 X .150 ↓	10-32 X .150 ↓	
Material, Housing/Connector	Titanium	Titanium	
Sensing Element	Ceramic	Ceramic	
Element Style	Planar Shear	Planar Shear	

**PHYSICAL**  
 Weight  
 Connector Type  
 Mounting Provision  
 Material, Housing/Connector  
 Sensing Element  
 Element Style

Sensitivity, ± 5% [1]	10	mV/g	1	mV/m/s <sup>2</sup>
Range for ± 5 Volts Output	500	g	4905	m/s <sup>2</sup>
Frequency Response, ± 5%	1 to 5000	Hz	1 to 5000	Hz
Frequency Response, ± 10%	1 to 10000	Hz	1 to 10000	Hz
Resonant Frequency	> 36	kHz	> 36	kHz
Broad Band Resolution	0.0030	Grms	0.029	m/s <sup>2</sup> rms
Spectral Noise	1Hz: 340	µGrms/v(Hz)	3335	m/s <sup>2</sup> rms/v(Hz)
	10Hz: 130	µGrms/v(Hz)	1275	m/s <sup>2</sup> rms/v(Hz)
	100Hz: 36	µGrms/v(Hz)	353	m/s <sup>2</sup> rms/v(Hz)
	1000Hz: 21	µGrms/v(Hz)	206	m/s <sup>2</sup> rms/v(Hz)
	10000Hz: 12	µGrms/v(Hz)	117.7	m/s <sup>2</sup> rms/v(Hz)
Linearity [2]	± 1	% F.S.	± 1	% F.S.
Maximum Transverse sensitivity	5	%	5	%
Strain Sensitivity @ 250µε	0.002	g/µε	0.02	m/s <sup>2</sup> /µε

**PERFORMANCE**  
 Sensitivity, ± 5% [1]  
 Range for ± 5 Volts Output  
 Frequency Response, ± 5%  
 Frequency Response, ± 10%  
 Resonant Frequency  
 Broad Band Resolution  
 Spectral Noise  
 Linearity [2]  
 Maximum Transverse sensitivity  
 Strain Sensitivity @ 250µε

Maximum Vibration	600	Gpeak	5886	m/s <sup>2</sup> peak
Maximum Shock	5000	Gpeak	49050	m/s <sup>2</sup> peak
Temperature Range (<3% Sensitivity Deviation)	+50 to +100	°F	10 to 38	°C
Temperature Range	-67 to +250	°F	-55 to 121	°C
Seal	Hermetic		Hermetic	

**ENVIRONMENTAL**  
 Maximum Vibration  
 Maximum Shock  
 Temperature Range (<3% Sensitivity Deviation)  
 Temperature Range  
 Seal

Supply Current Range [3]	2 to 20	mA	2 to 20	mA
Compliance Voltage Range	18 to +30	Volts	18 to +30	Volts
Output Impedance, Typ	100	Ω	100	Ω
Bias Voltage	11 to 13	VDC	11 to 13	VDC
Discharge Time Constant	0.5 to 1.5	Sec	0.5 to 1.5	Sec
Electrical Isolation	10	GΩ, min	10	GΩ, min

**ELECTRICAL**  
 Supply Current Range [3]  
 Compliance Voltage Range  
 Output Impedance, Typ  
 Bias Voltage  
 Discharge Time Constant  
 Electrical Isolation

**This family also includes:**

Model	Sensitivity (mV/g)	Frequency Response (Hz)	Time Constant (Sec)	Operating Temp (°F)
3055D2	100	1 to 10000	0.5 to 1.5	-67 to +250
3055D3	500	1 to 10000	0.5 to 1.5	-67 to +225
3055D4	50	1 to 10000	0.5 to 1.5	-67 to +250
3055D5	20	1 to 10000	0.5 to 1.5	-67 to +250
3055D6	200	1 to 10000	0.5 to 1.5	-67 to +225

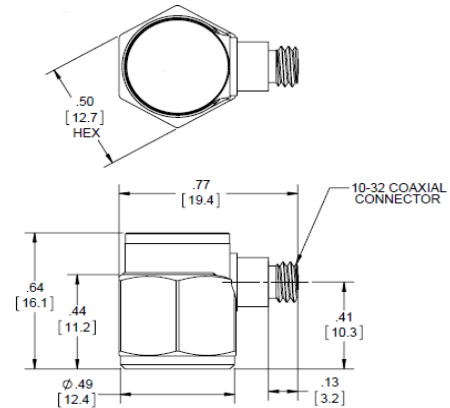
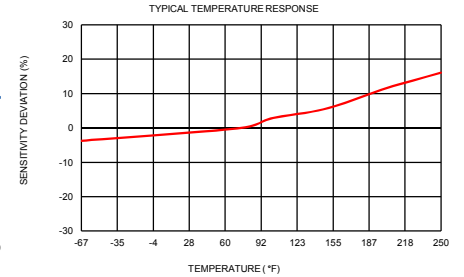
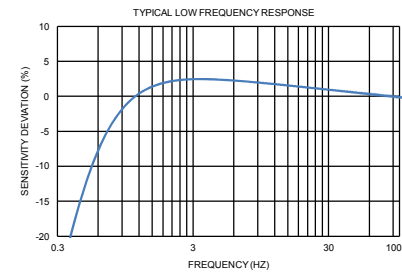
Refer to the performance specifications of the products in this family for detailed description

**Supplied Accessories:**

- 1) Accredited calibration certificate (ISO 17025)
- 2) Model 6200 mounting stud, qty 1

**Notes:**

- [1] Measured at 100Hz, 1 Grms per ISA RP 37.2.
- [2] Measure using zero-based straight line method, % of F.S. or any lesser range.
- [3] Do not apply power to this system without current limiting, 20 mA MAX. To do so will destroy the IC charge amplifier.
- [4] In the interest of constant product improvement, we reserve the right to change specifications without notice.



Units on the line drawing are in inches, units in brackets are in millimeters. Refer to 127-3055D for more information.



21592 Marilla Street, Chatsworth, California 91311 Phone: 818.700.7818 Fax: 818.700.7880 www.dytran.com  
 For permission to reprint this content, please contact info@dytran.com