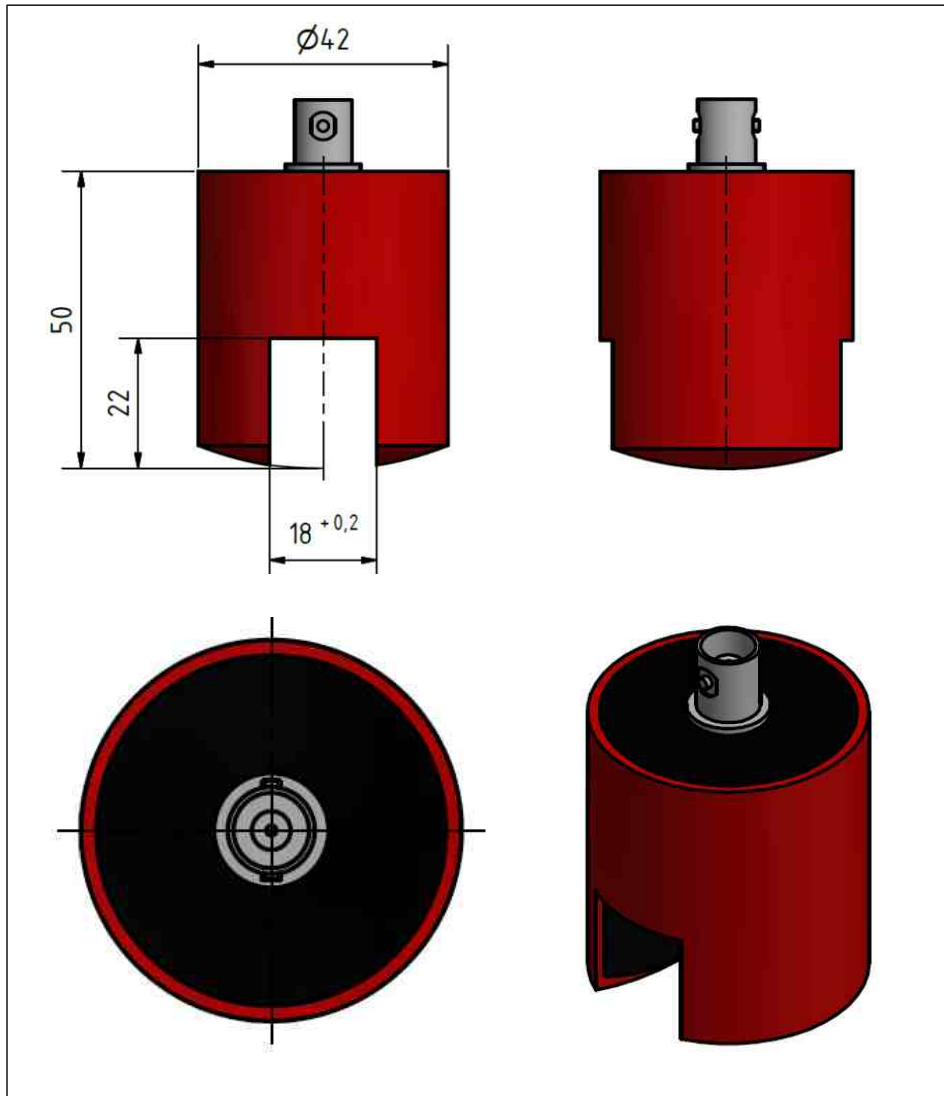


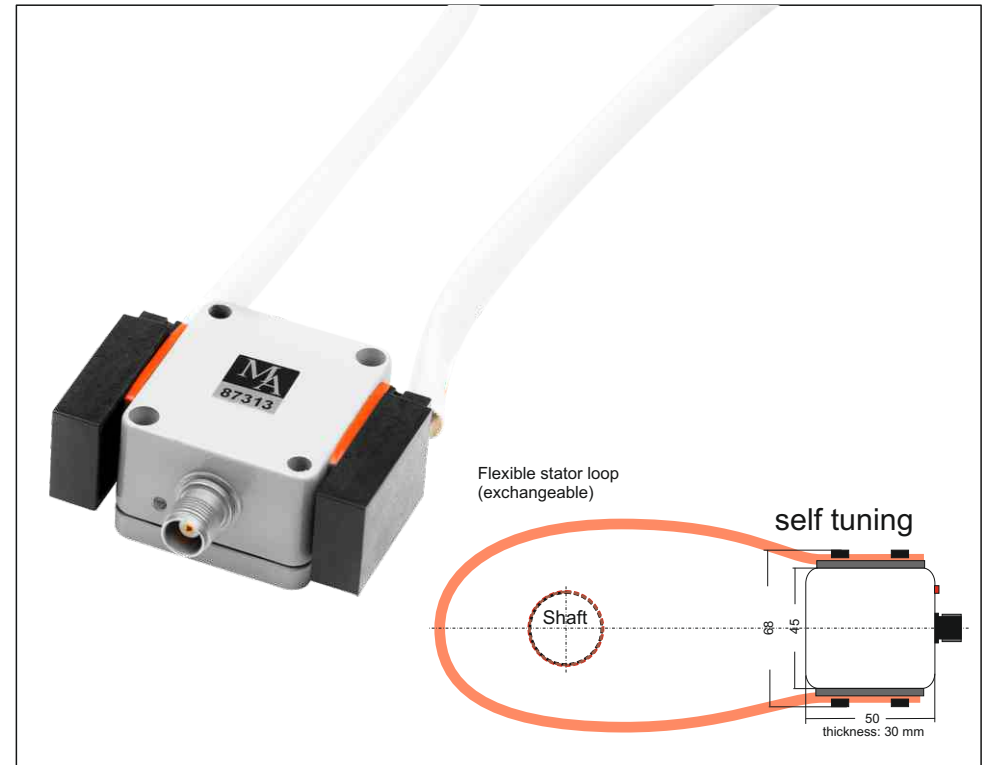
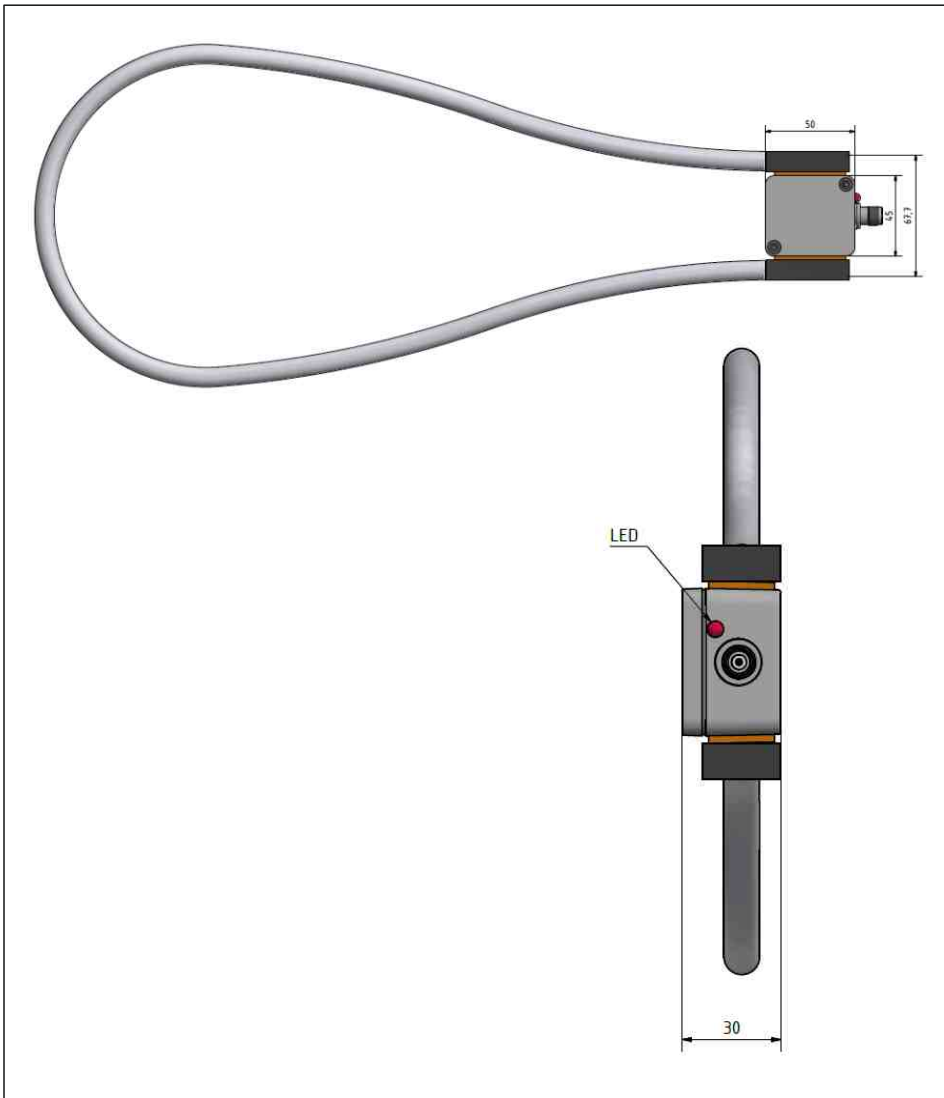
Pickup Type 2



Order code: A_2a_<temperature>_<VFreq>_<PCM>_<ConP>_<ConD>_<cable>_<length>_<Power>_<sys>_<water>

-10 + 85° C	-	-	BNC	BNC	RG58	in m	3W	-	-
-25 + 125° C	6,4MHz	pcm	TNC	TNC	RG316	-	5W	Inba	IP65
-45 + 85° C	3,2MHz		N	N	RG142	0,4	10W	InFu	IP67
-45 + 160° C			SA	SA	RG213	4	xW	Fu	
			SB	SB	Mar	x			
			Fi	Fi					
			Le	Le					

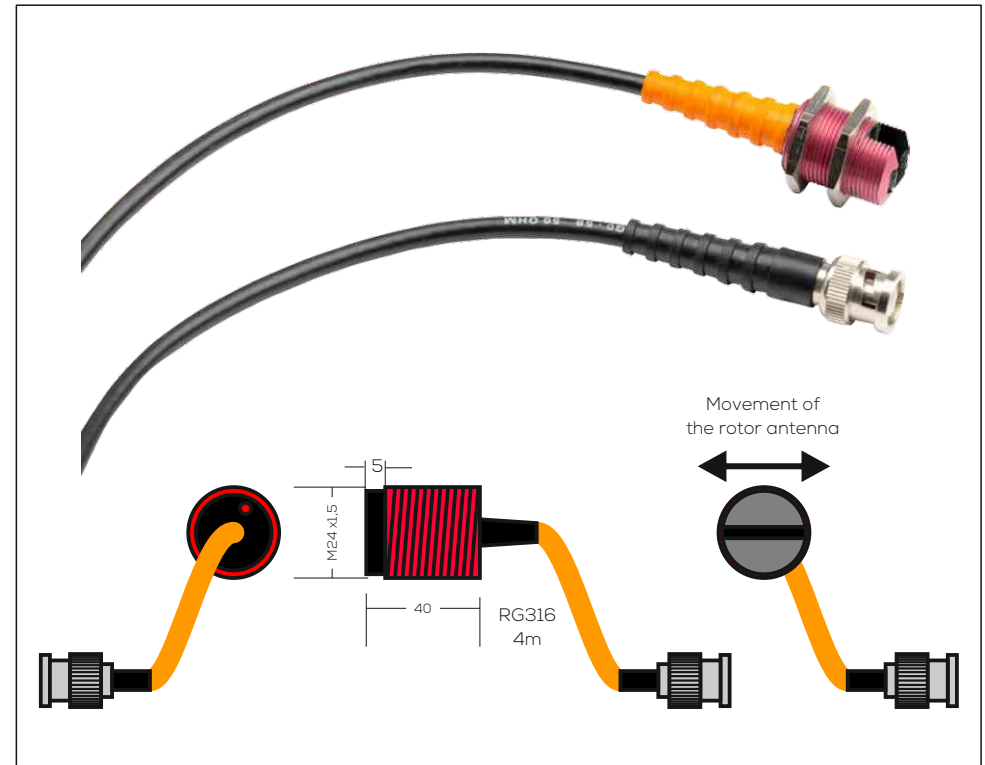
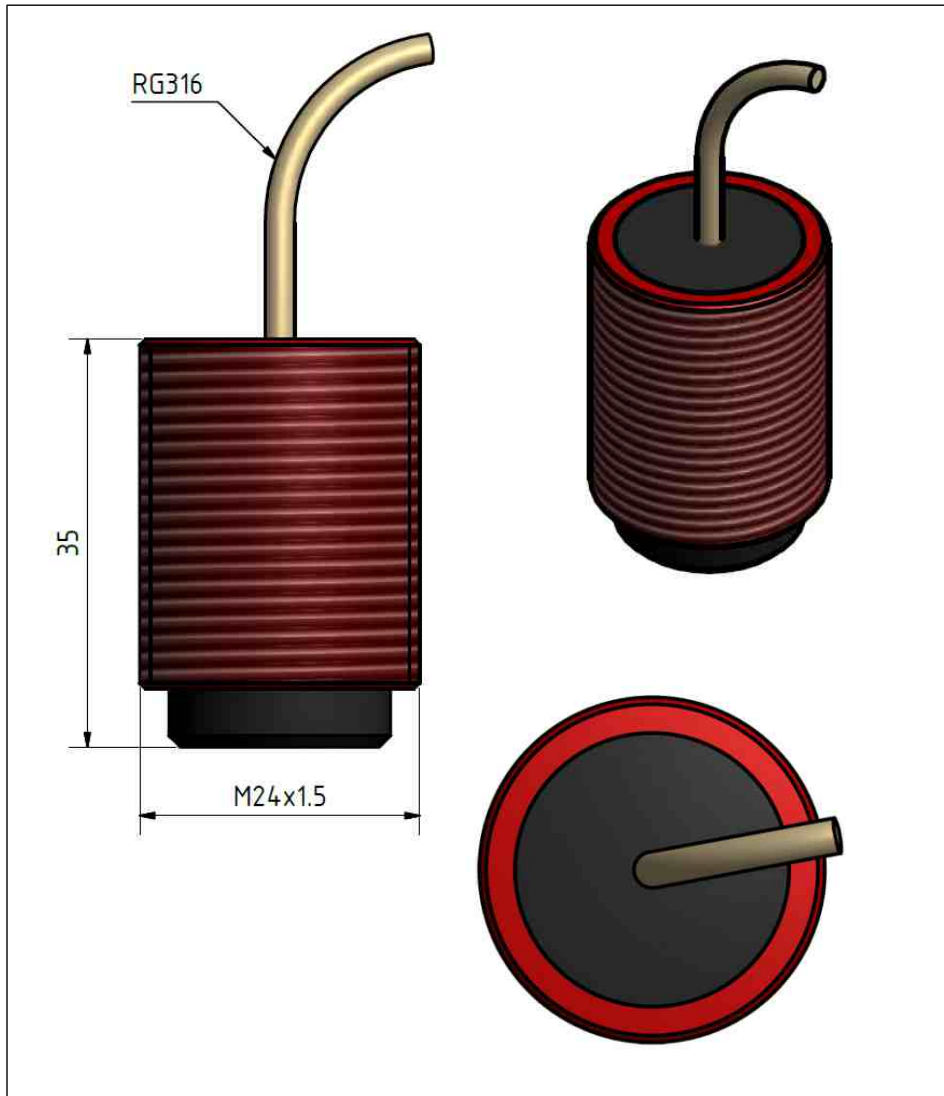
Pickup Type 3_Anpassbar



Order code: A_3b flex_<Da>/<Gap>_<temp>_<VFreq>_<PCM>_<ConP>_<ConD>_<cable>_<length>_<Power>_<sys>_<water>

Da/Gap mm	-10 + 85° C	-	-	BNC	BNC	RG58	in m	3W	-	-
	-25 +125°C	6,4MHz	pcm	TNC	TNC	RG316	-	5W	Inba	IP65
	-45 + 85°C	3,2MHz		N	N	RG142	0,4	10W	InFu	IP67
				SA	SA	RG213	4	xW	Fu	
				SB	SB	Mar	x			
				Fi	Fi					
				Le	Le					

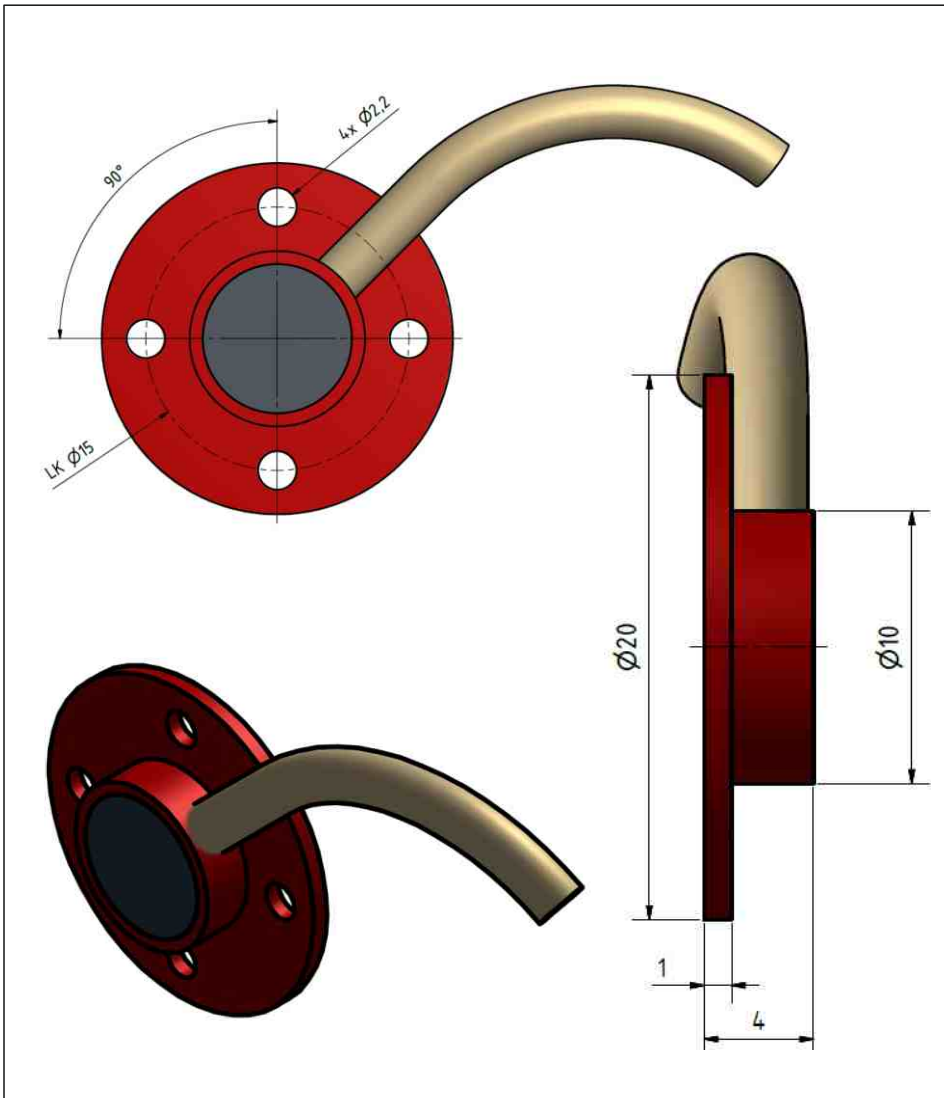
Pickup Type 4b



Order code: A_4b_<temperature>_<VFreq>_<PCM>_<ConP>_<ConD>_<cable>_<length>_<Power>_<sys>_<water>

-10 + 85° C	-	-	BNC	BNC	RG58	in m	3W	-	-
-25 + 125° C	6,4MHz	pcm	TNC	TNC	RG316	-	5W	Inba	IP65
-45 + 85° C	3,2MHz		N	N	RG142	0,4	10W	InFu	IP67
-45 + 160° C			SA	SA	RG213	4	xW	Fu	
			SB	SB	Mar	x			
			Fi	Fi					
			Le	Le					

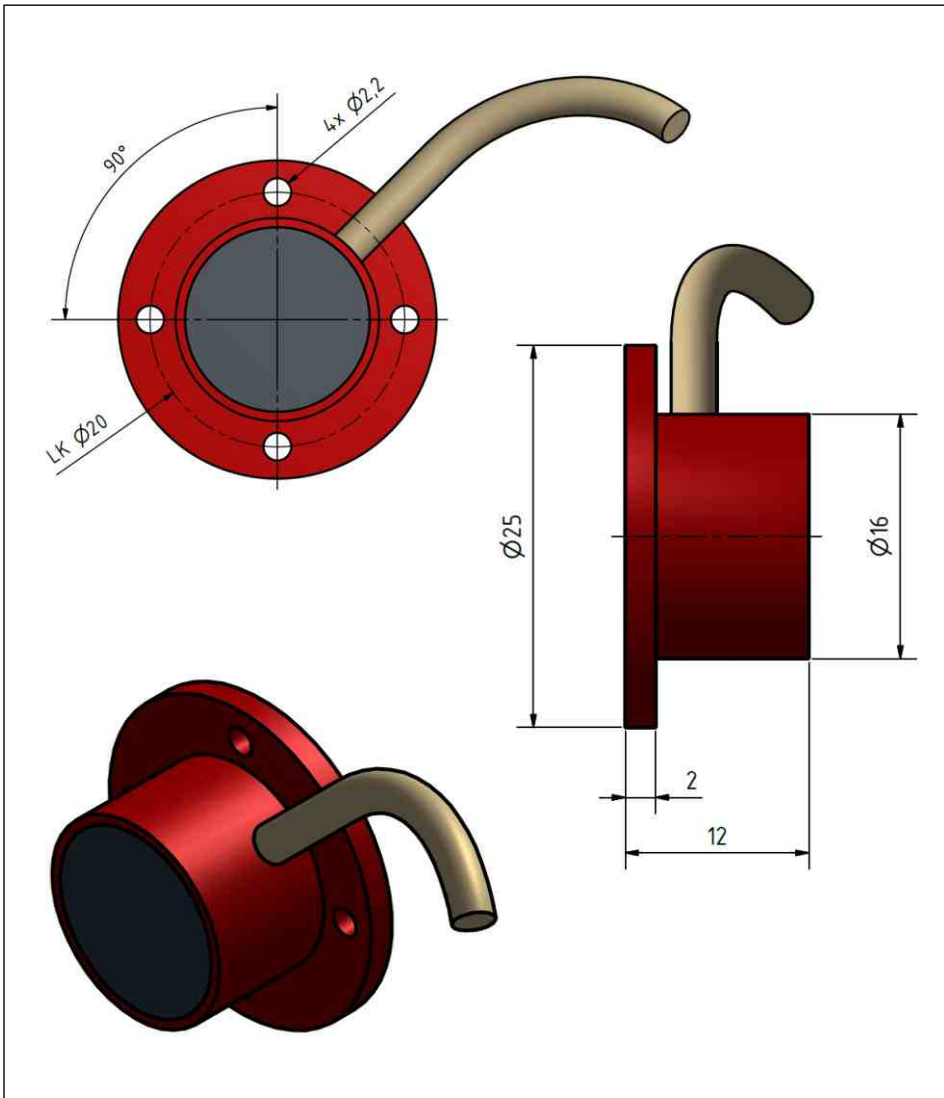
Pickup Type 5a



Order code: A_5a_<temperature>_<VFreq>_<PCM>_<ConP>_<ConD>_<cable>_<length>_<Power>_<sys>_<water>

-10 + 85° C	-	-	BNC	BNC	RG58	in m	3W	-	-
-25 + 125° C	6,4MHz	pcm	TNC	TNC	RG316	-	5W	Inba	IP65
-45 + 85° C	3,2MHz		N	N	RG142	0,4	10W	InFu	IP67
-45 + 160° C			SA	SA	RG213	4	xW	Fu	
			SB	SB	Mar	x			
			Fi	Fi					
			Le	Le					

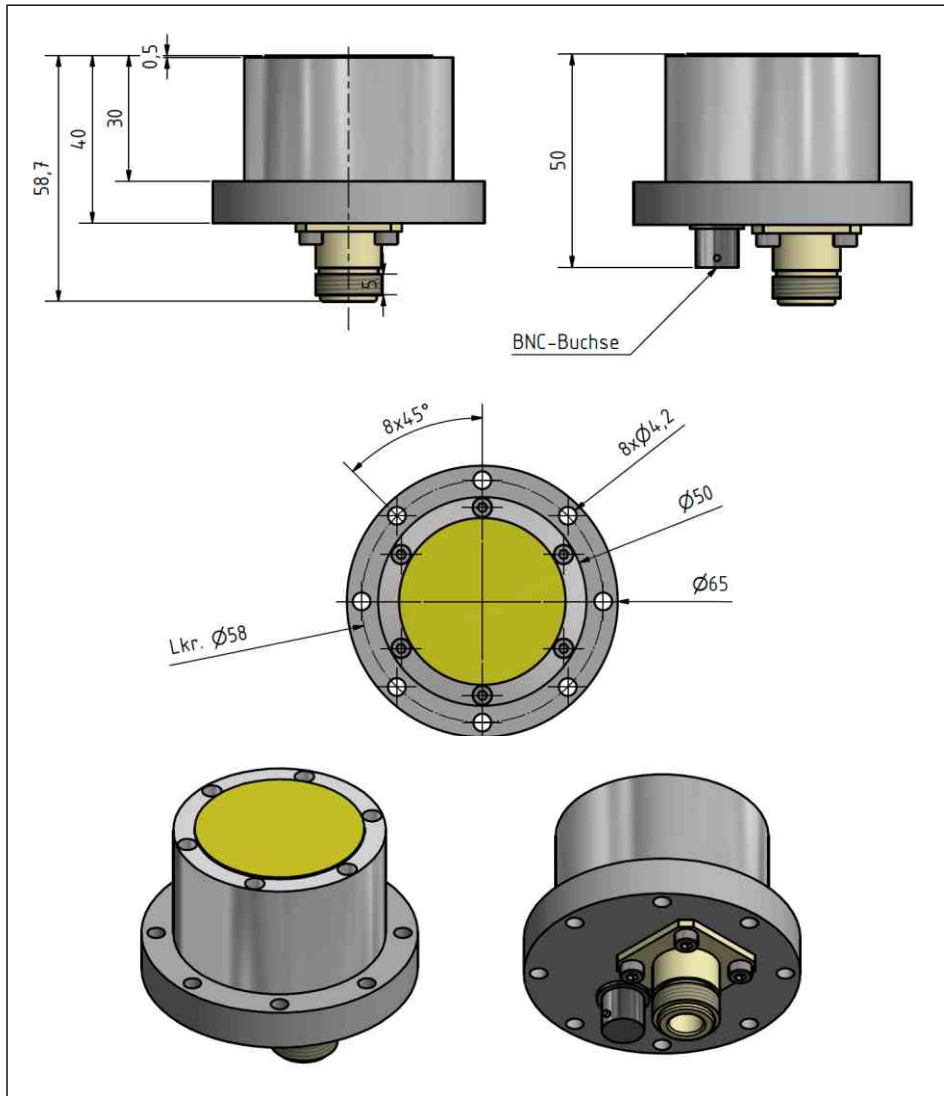
Pickup Type 5b



Order code: A_5b_<temperature>_<VFreq>_<PCM>_<ConP>_<ConD>_<cable>_<length>_<Power>_<sys>_<water>

-10 + 85° C	-	-	BNC	BNC	RG58	in m	3W	-	-
-25 + 125° C	6,4MHz	pcm	TNC	TNC	RG316	-	5W	Inba	IP65
-45 + 85° C	3,2MHz		N	N	RG142	0,4	10W	InFu	IP67
-45 + 160° C			SA	SA	RG213	4	xW	Fu	
			SB	SB	Mar	x			
			Fi	Fi					
			Le	Le					

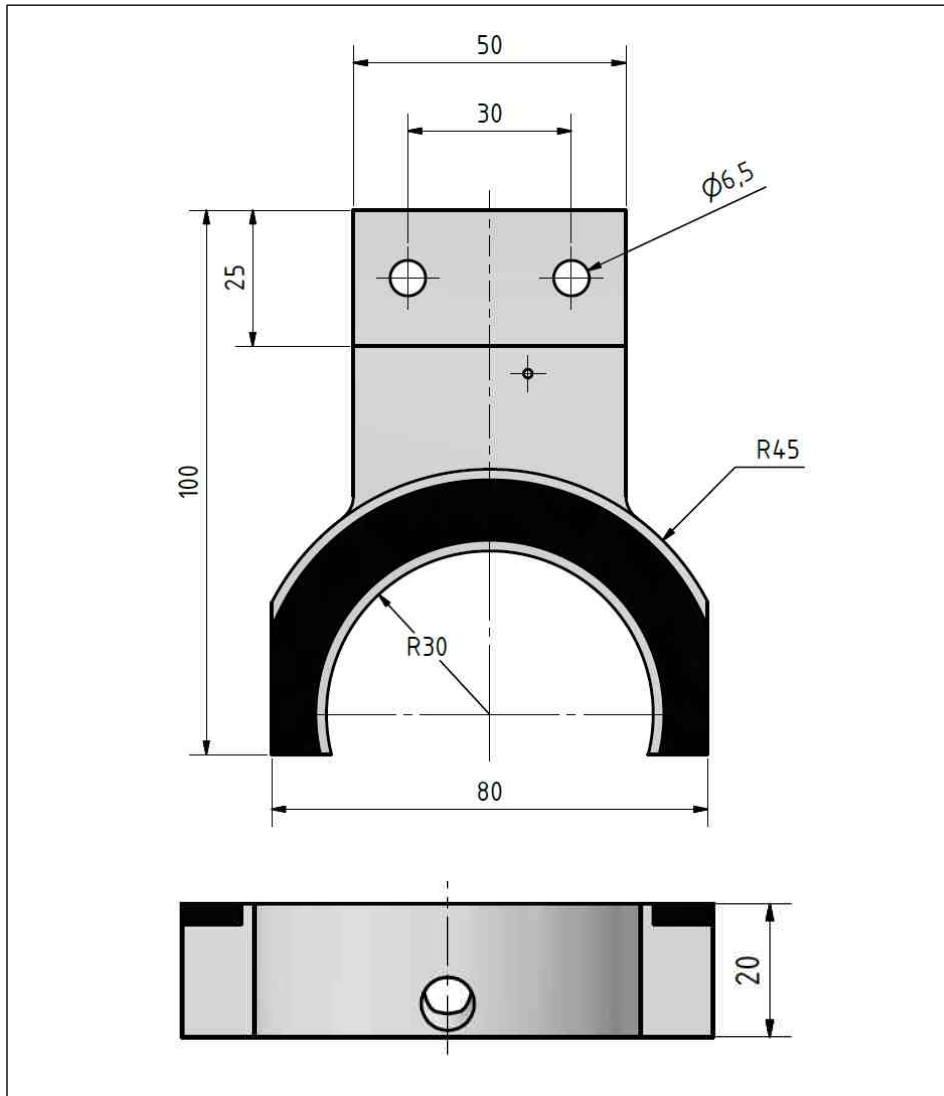
Pickup Type 5d



Order code: A_5d_<temperature>_<VFreq>_<PCM>_<ConP>_<ConD>_<cable>_<length>_<Power>_<sys>_<water>

-10 + 85° C	-	-	BNC	BNC	RG58	in m	3W	-	-
-25 + 125° C	6.4MHz	pcm	TNC	TNC	RG316	-	5W	Inba	IP65
-45 + 85° C	3.2MHz		N	N	RG142	0,4	10W	InFu	IP67
-45 + 160° C			SA	SA	RG213	4	xW	Fu	
			SB	SB	Mar	x			
			Fi	Fi					
			Le	Le					

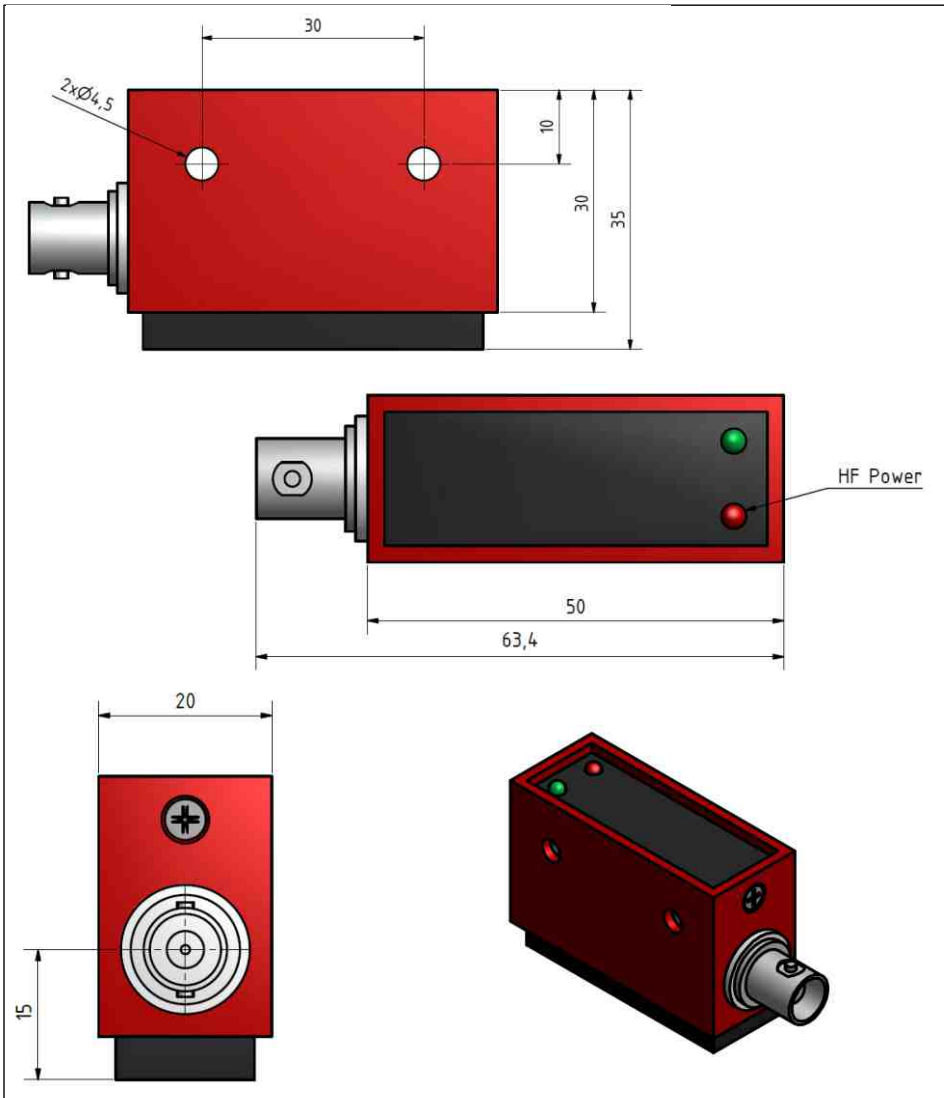
Pickup Type 5x



Order code: A_5x_<D>//<Gap>_<temp>_<VFreq>_<PCM>_<ConP>_<ConD>_<cable>_<length>_<Power>_<sys>_<water>

D/B/Gap mm	-10 + 85° C	-	-	BNC	BNC	RG58	in m	3W	-	-
	-25 +125°C	6,4MHz	pcm	TNC	TNC	RG316	-	5W	Inba	IP65
	-45 + 85°C	3,2MHz		N	N	RG142	0,4	10W	InFu	IP67
	-45 +160°C			SA	SA	RG213	4	xW	Fu	
	-10 +180°C			SB	SB	Mar	x			
				Fi	Fi					
				Le	Le					

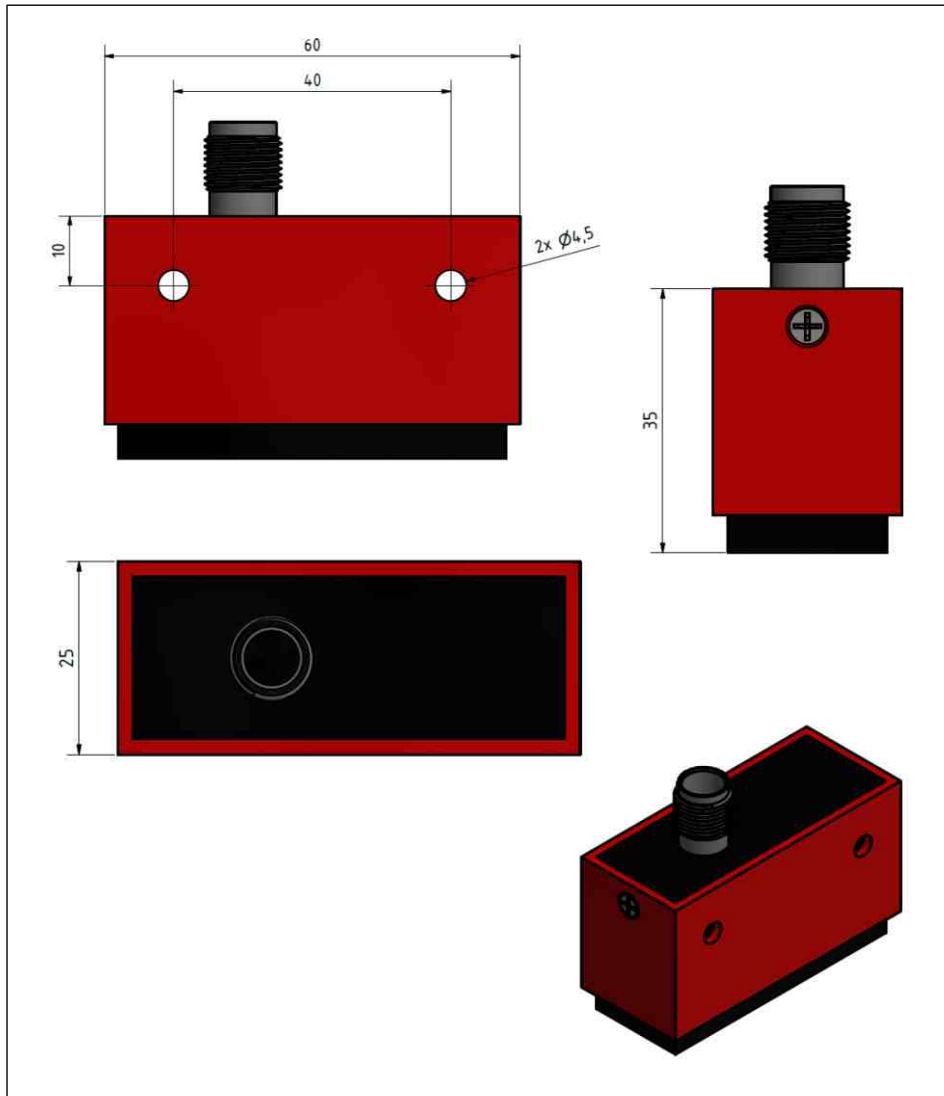
Pickup Type 8a



Order code: A_8a_<temperature>_<VFreq>_<PCM>_<ConP>_<ConD>_<cable>_<length>_<Power>_<sys>_<water>

-10 + 85° C	-	-	BNC	BNC	RG58	in m	3W	-	-
-25 +125° C	6,4MHz	pcm	TNC	TNC	RG316	-	5W	Inba	wa
-45 + 85° C	3,2MHz		N	N	RG142	0,4	10W	InFu	
-45 +160° C			SA	SA	RG213	4	xW	Fu	
			SB	SB	Mar	x			
			Fi	Fi					
			Le	Le					

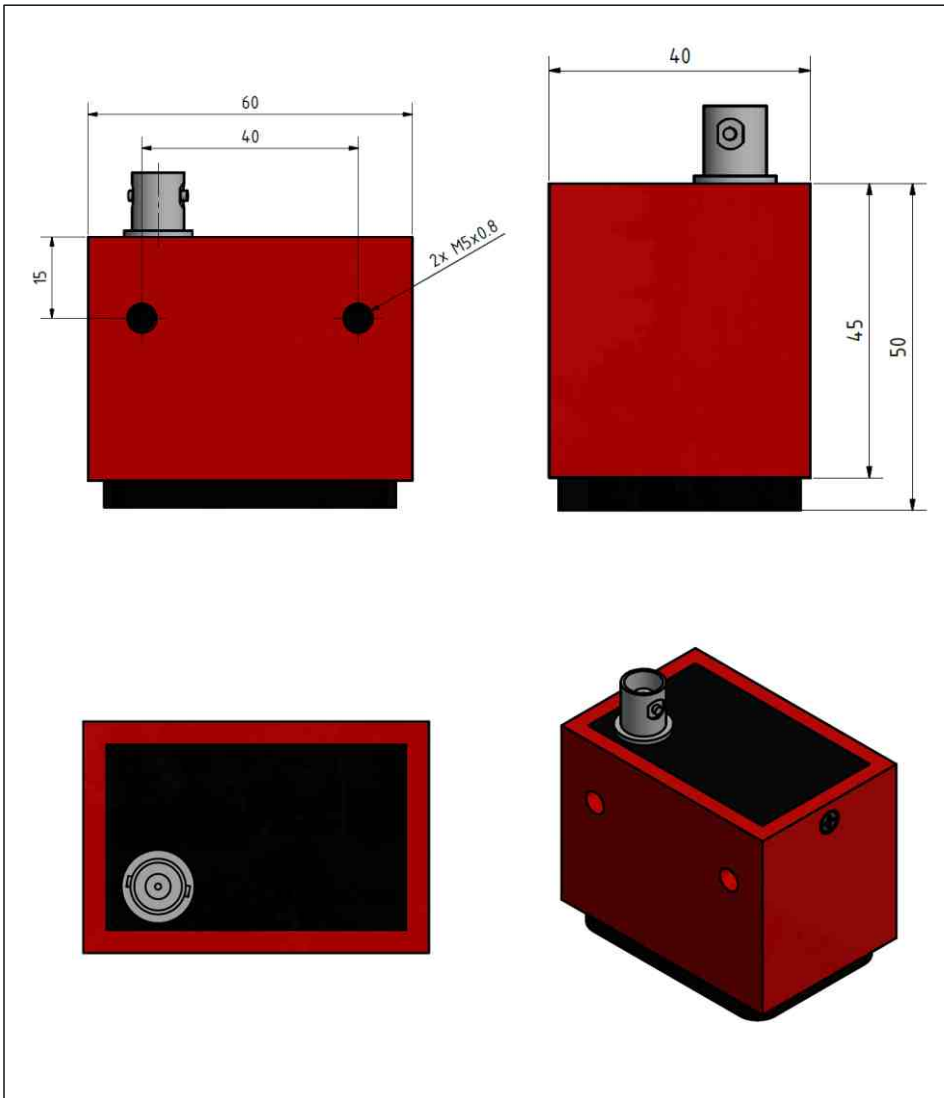
Pickup Type 8b



Order code: A_8b_<temperature>_<VFreq>_<PCM>_<ConP>_<ConD>_<cable>_<length>_<Power>_<sys>_<water>

-10 + 85° C	-	-	BNC	BNC	RG58	in m	3W	-	-
-25 +125° C	6,4MHz	pcm	TNC	TNC	RG316	-	5W	Inba	IP65
-45 + 85° C	3,2MHz		N	N	RG142	0,4	10W	InFu	IP67
-45 +160° C			SA	SA	RG213	4	xW	Fu	
			SB	SB	Mar	x			
			Fi	Fi					
			Le	Le					

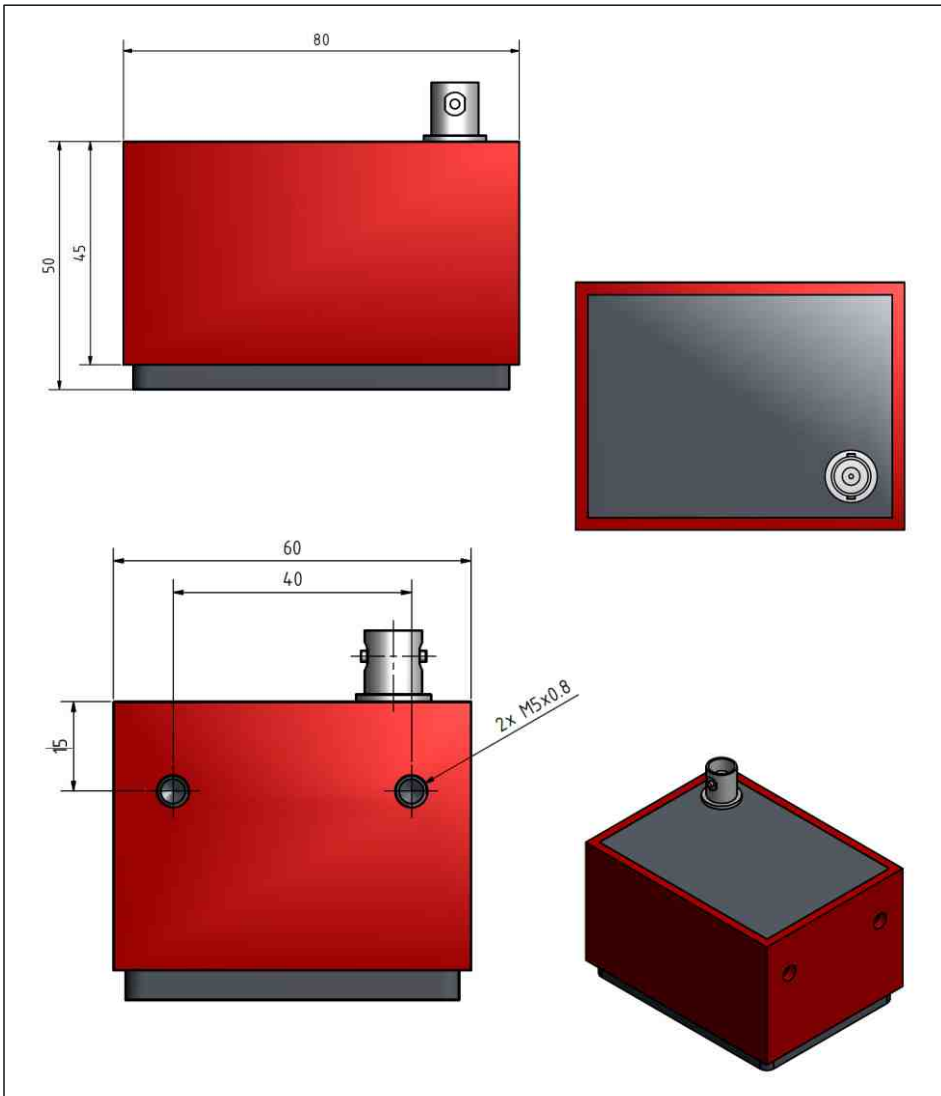
Pickup Type 8c



Order code: A_8c_<temperature>_<VFreq>_<PCM>_<ConP>_<ConD>_<cable>_<length>_<Power>_<sys>_<water>

-10 + 85° C	-	-	BNC	BNC	RG58	in m	3W	-	-
-25 + 125° C	6,4MHz	pcm	TNC	TNC	RG316	-	5W	Inba	IP65
-45 + 85° C	3,2MHz		N	N	RG142	0,4	10W	InFu	IP67
-45 + 160° C			SA	SA	RG213	4	xW	Fu	
			SB	SB	Mar	x			
			Fi	Fi					
			Le	Le					

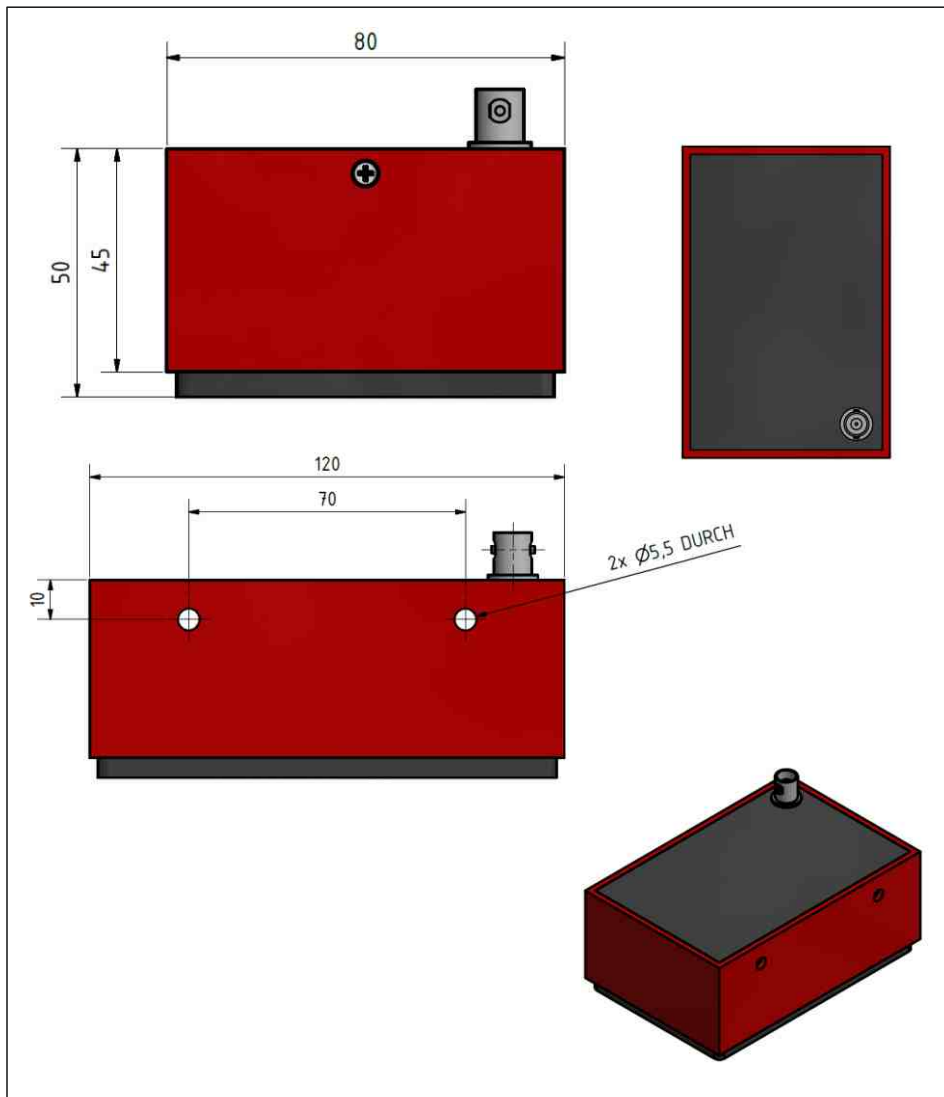
Pickup Type 8e



Order code: A_8e_<temperature>_<Vfreq>_<PCM>_<ConP>_<ConD>_<cable>_<length>_<Power>_<sys>_<water>

-10 + 85° C	-	-	BNC	BNC	RG58	in m	3W	-	-
-25 + 125° C	6,4MHz	pcm	TNC	TNC	RG316	-	5W	Inba	IP65
-45 + 85° C	3,2MHz		N	N	RG142	0,4	10W	InFu	IP67
-45 + 160° C			SA	SA	RG213	4	xW	Fu	
			SB	SB	Mar	x			
			Fi	Fi					
			Le	Le					

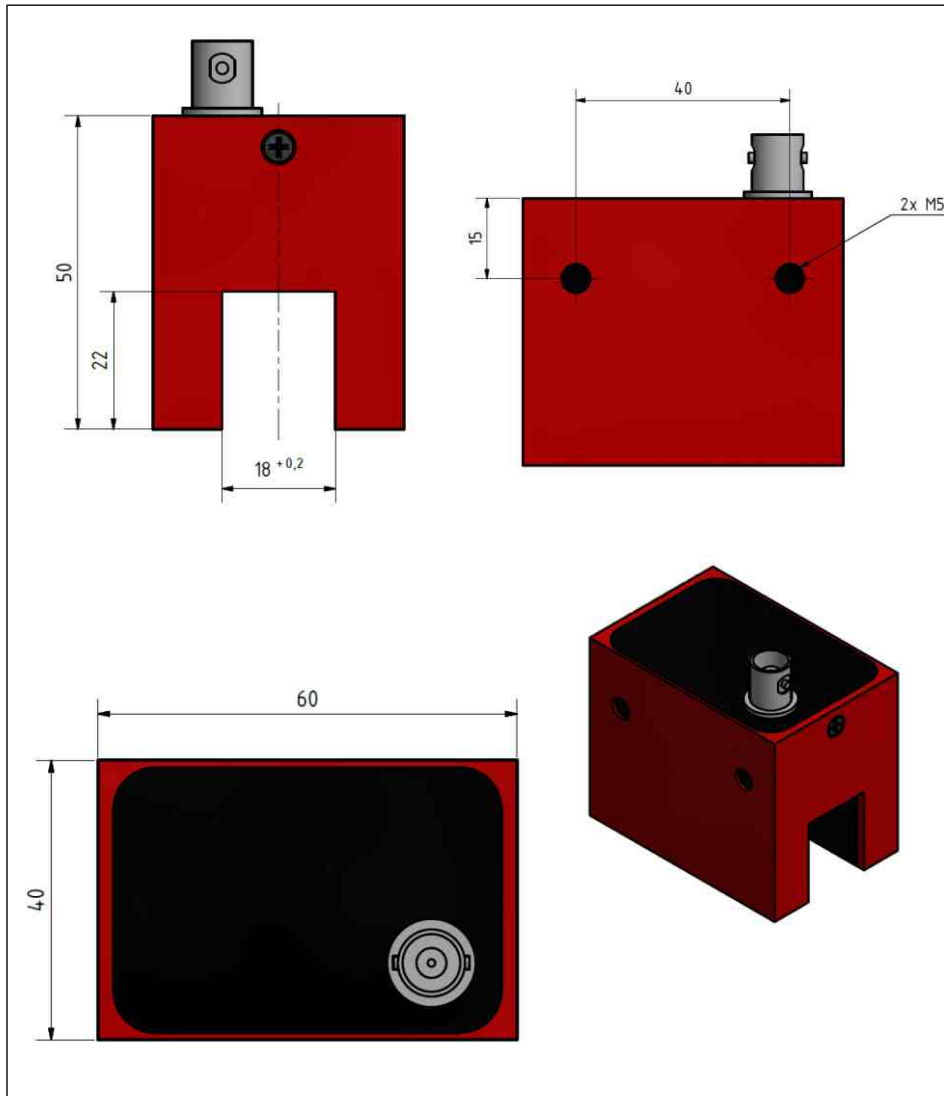
Pickup Type 8f



Order code: A_8f<temperature>_<VFreq>_<PCM>_<ConP>_<ConD>_<cable>_<length>_<Power>_<sys>_<water>

-10 + 85° C	-	-	BNC	BNC	RG58	in m	3W	-	-
-25 +125° C	6,4MHz	pcm	TNC	TNC	RG316	-	5W	Inba	IP65
-45 + 85° C	3,2MHz		N	N	RG142	0,4	10W	InFu	IP67
-45 +160° C			SA	SA	RG213	4	xW	Fu	
			SB	SB	Mar	x			
			Fi	Fi					
			Le	Le					

Pickup Type 9c



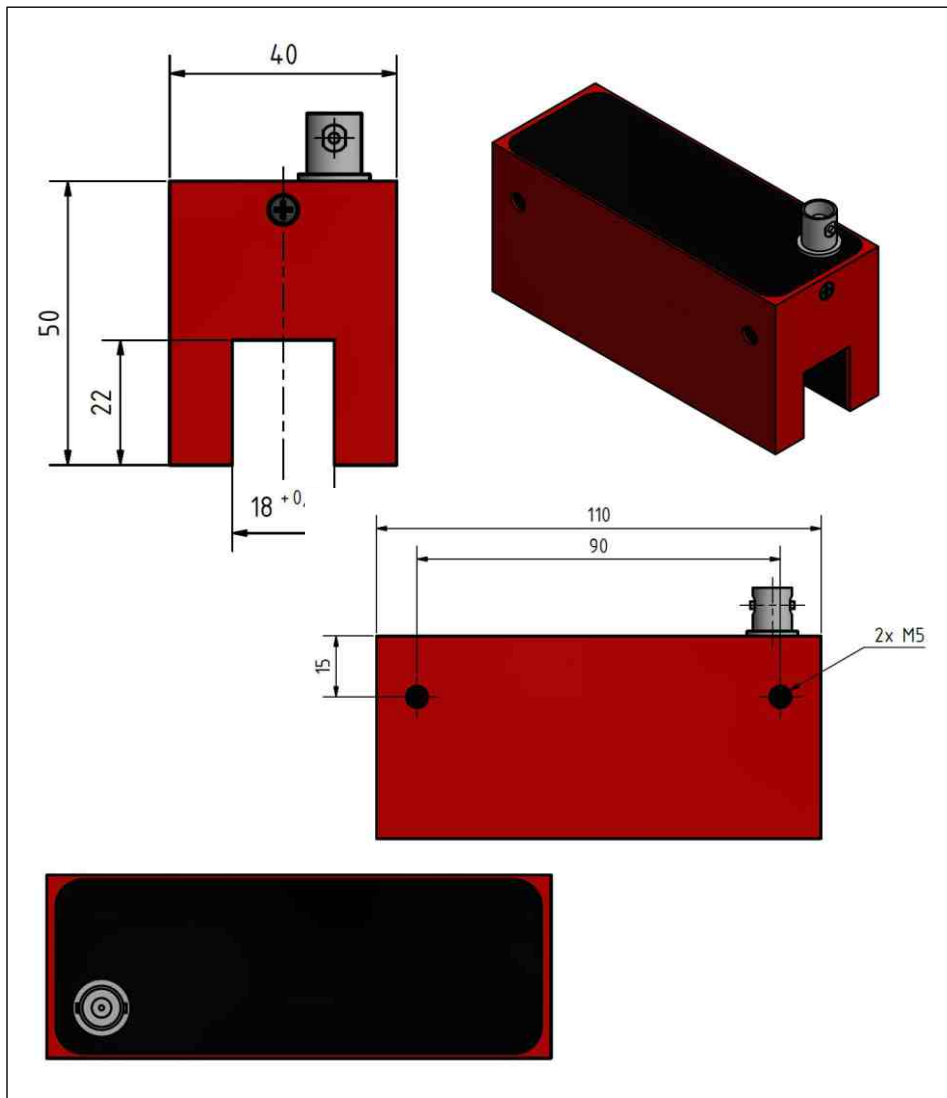
 **MANNER** Sensortelemetrie
 Eschenwägen 20
 077549 Schöningen
 Tel.: +49 5322 1424
 Fax: +49 5322 1424-200

Bauform: 9c N
Max. Leistung: 3 Watt
Frequenz: 13,56 MHz

Order code: A_9c_<temperature>_<VFreq>_<PCM>_<ConP>_<ConD>_<cable>_<length>_<Power>_<sys>_<water>

-10 + 85° C	-	-	BNC	BNC	RG58	in m	3W	-	-
-25 +125° C	6,4MHz	pcm	TNC	TNC	RG316	-	5W	Inba	IP65
-45 + 85° C	3,2MHz		N	N	RG142	0,4	10W	InFu	IP67
-45 +160° C			SA	SA	RG213	4	xW	Fu	
			SB	SB	Mar	x			
			Fi	Fi					
			Le	Le					

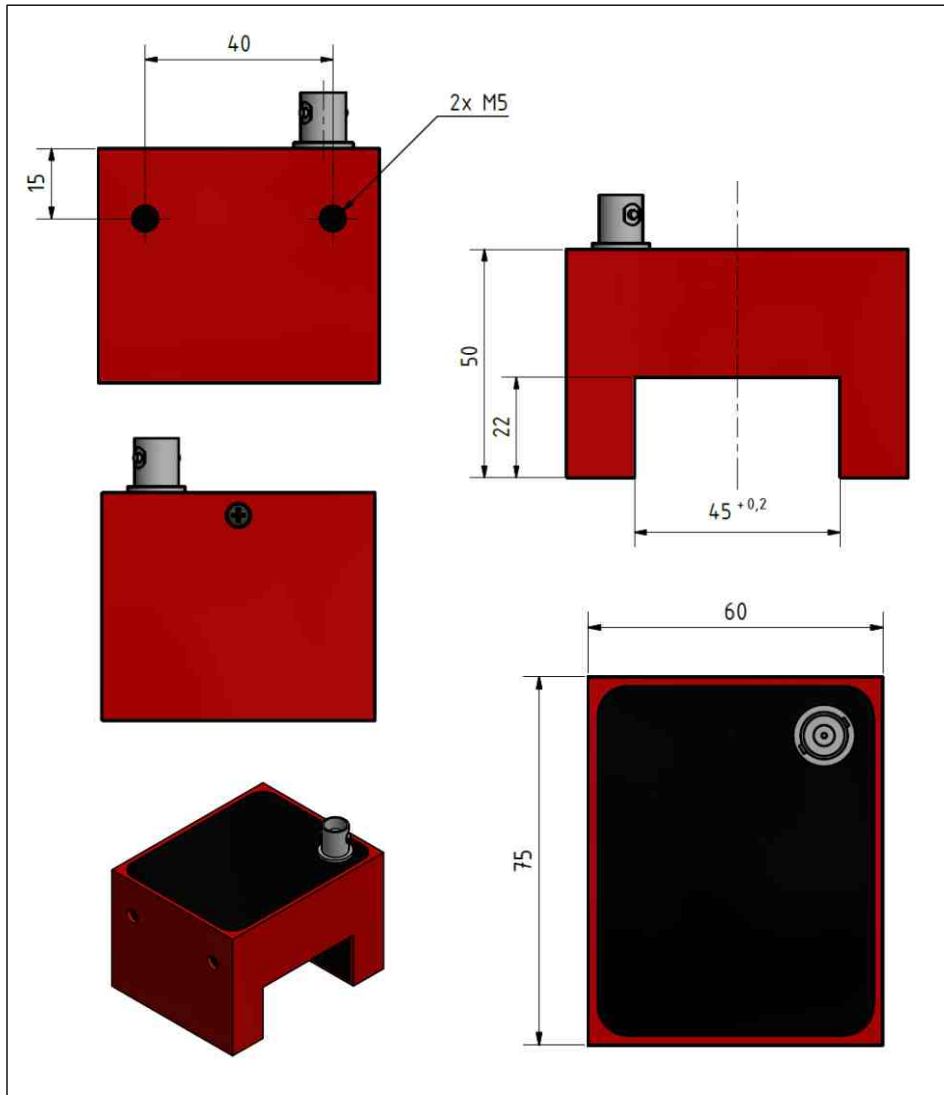
Pickup Type 9d



Order code: A_9d_<temperature>_<VFreq>_<PCM>_<ConP>_<ConD>_<cable>_<length>_<Power>_<sys>_<water>

-10 + 85° C	-	-	BNC	BNC	RG58	in m	3W	-	-
-25 + 125° C	6,4MHz	pcm	TNC	TNC	RG316	-	5W	Inba	IP65
-45 + 85° C	3,2MHz		N	N	RG142	0,4	10W	InFu	IP67
-45 + 160° C			SA	SA	RG213	4	xW	Fu	
			SB	SB	Mar	x			
			Fi	Fi					
			Le	Le					

Pickup Type 9e

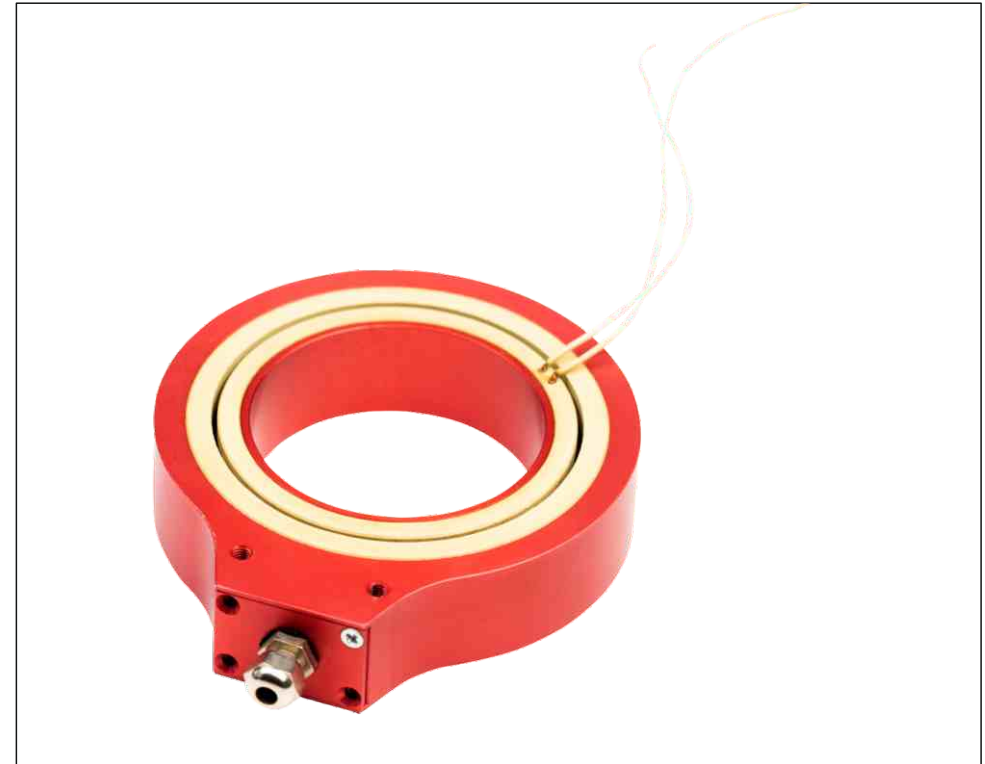
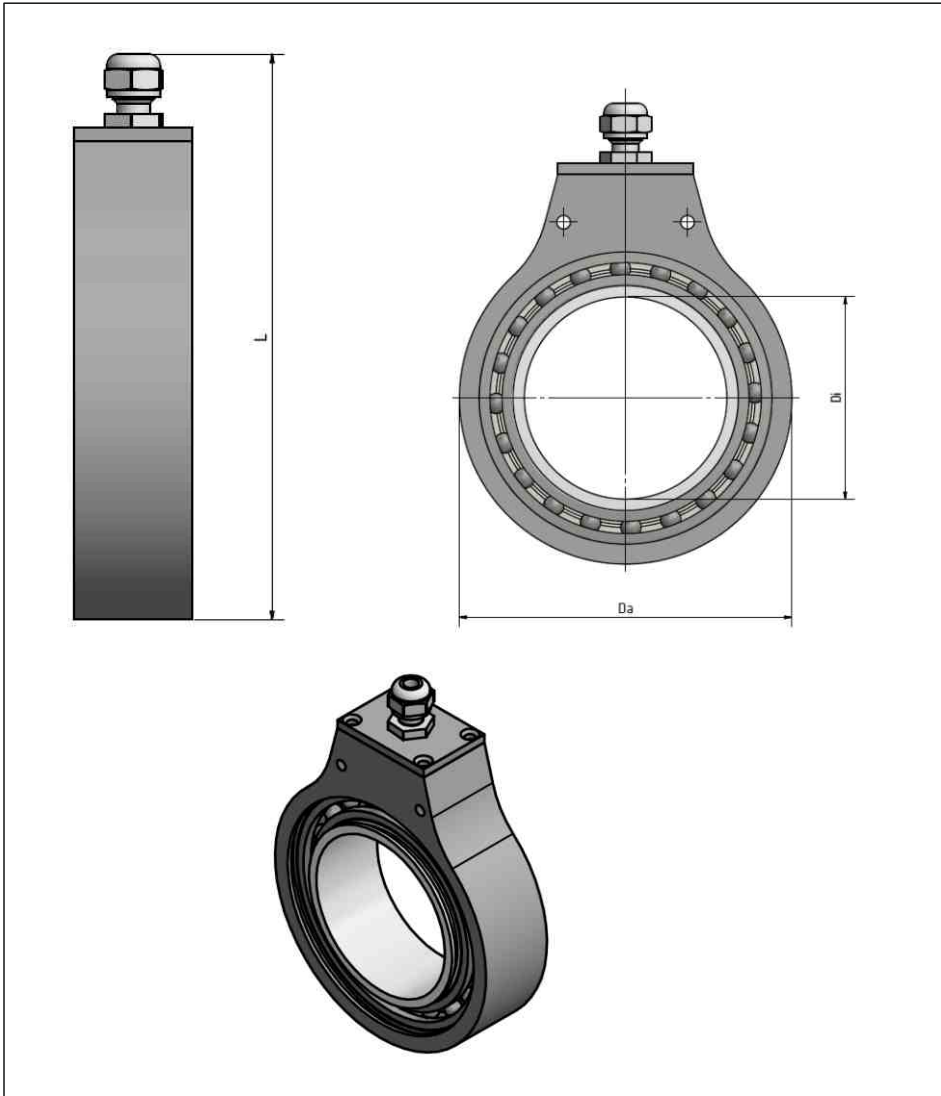


Order code: A_9e_<temperature>_<VFreq>_<PCM>_<ConP>_<ConD>_<cable>_<length>_<Power>_<sys>_<water>

-10 + 85° C	-	-	RG58	in m	3W	-	-
-25 + 125° C	6,4MHz	pcm	RG316	-	5W	Inba	IP65
-45 + 85° C	3,2MHz		RG142	0,4	10W	InFu	IP67
-45 + 160° C			RG213	4	xW	Fu	
			Mar	x			

Universal Shaft Transmitter (non dividable)

without Amplifier



Order code: A_7 Lager_<Di>/<Da>/_<temp>_<VFreq>_<PCM>_<ConP>_<ConD>_<cable>_<length>_<Power>_<sys>_<water>

Di/Da/B mm	-10 + 85° C	-	-	BNC	BNC	RG58	in m	3W	-	-
	-25 +125° C	6,4MHz	pcm	TNC	TNC	RG316	-	5W	Inba	IP65
	-45 + 85° C	3,2MHz		N	N	RG142	0,4	10W	InFu	IP67
	-45 +160° C			SA	SA	RG213	4	xW	Fu	
	-10 +180° C			SB	SB	Mar	x			
				Fi	Fi					
				Le	Le					