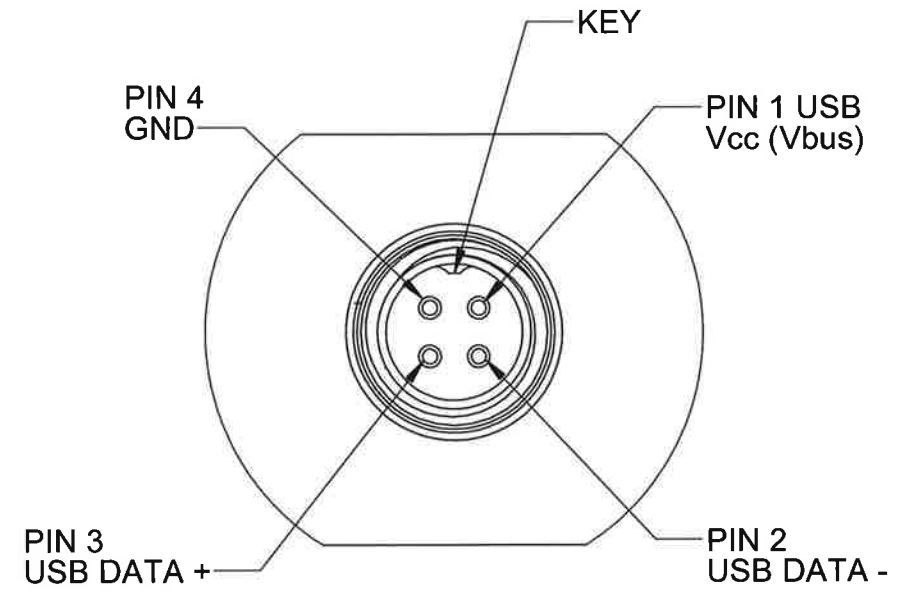
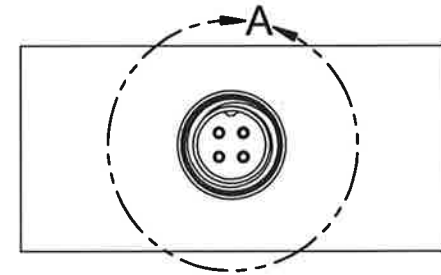
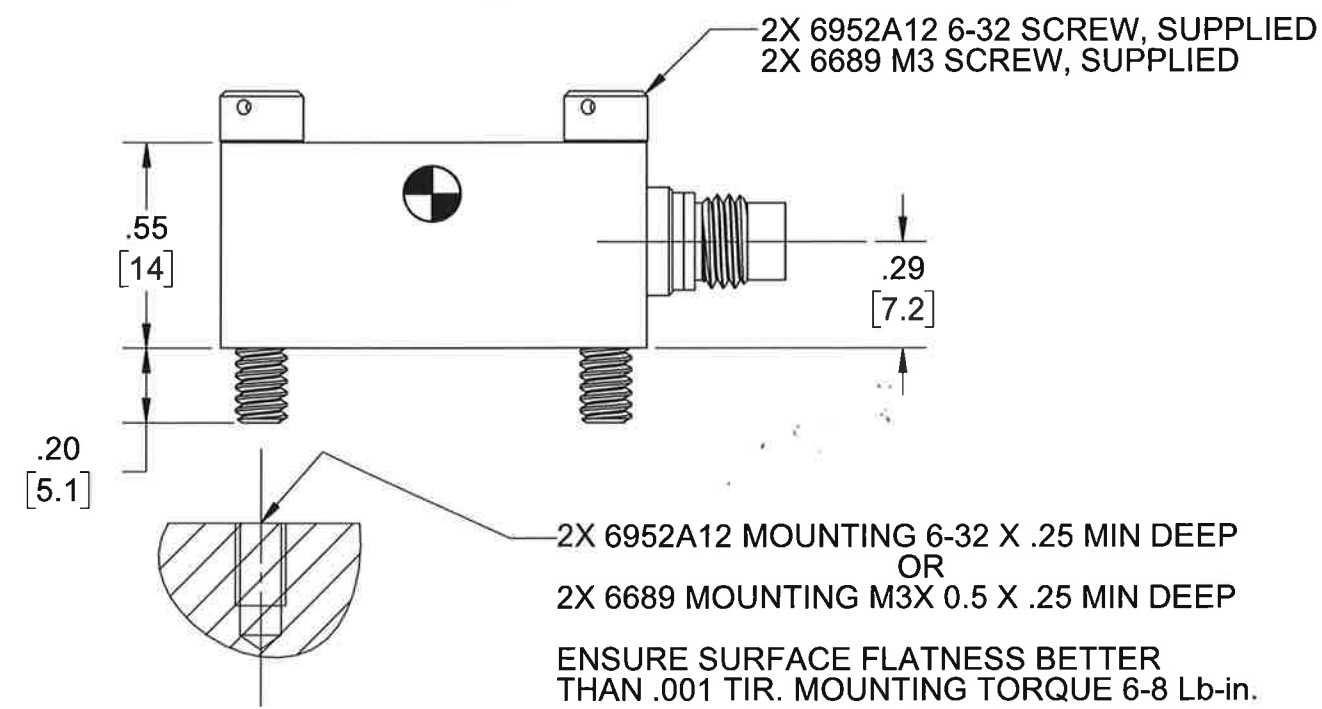
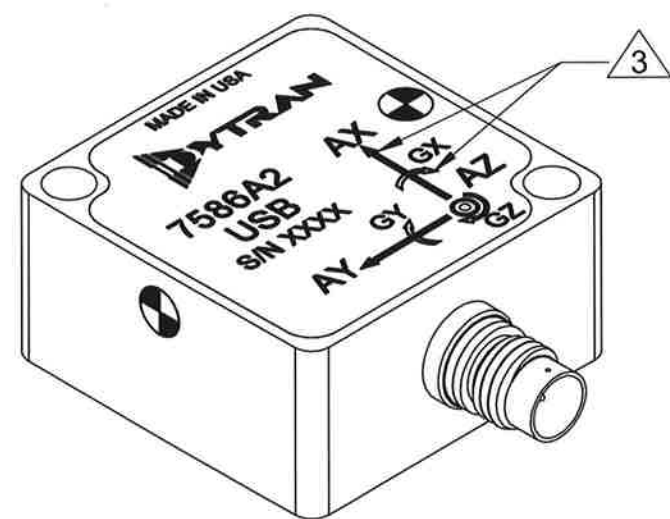
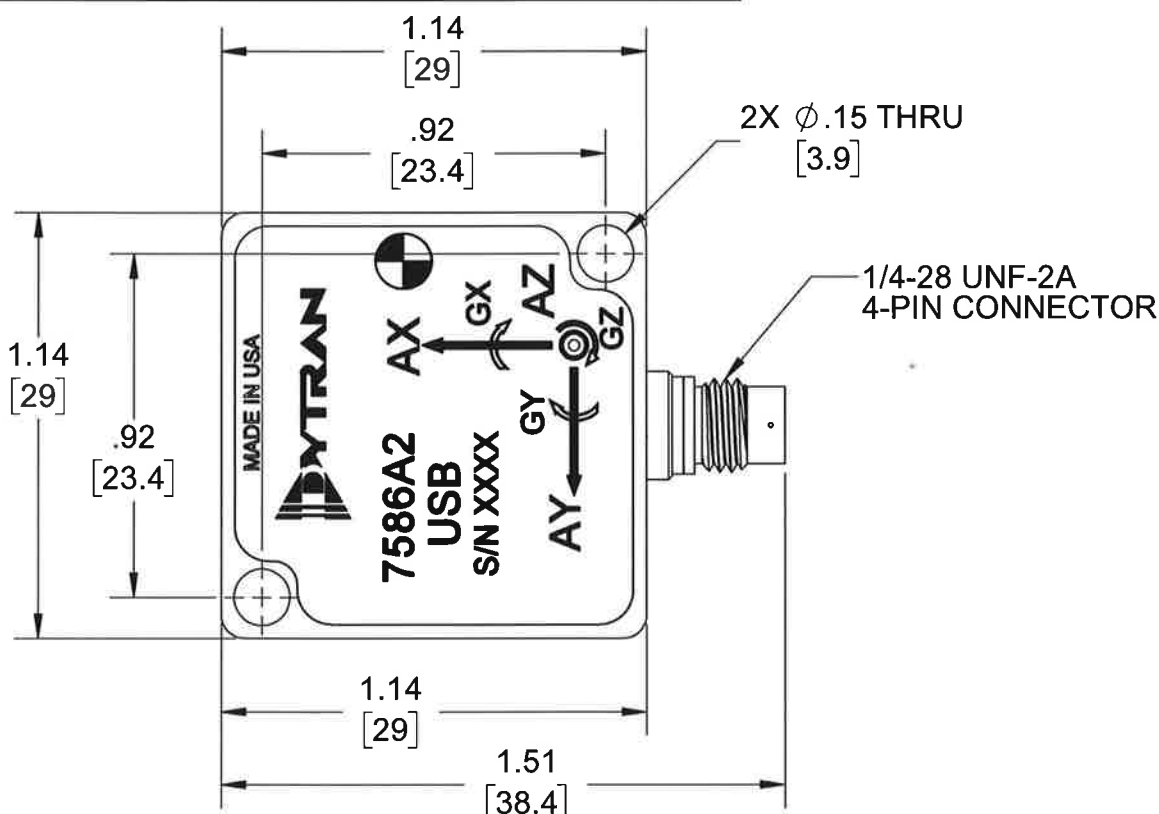


PROPRIETARY AND CONFIDENTIAL

THE INFORMATION CONTAINED IN THIS DRAWING IS THE SOLE PROPERTY OF DYTRAN INSTRUMENTS INC. ANY REPRODUCTION IN PART OR AS A WHOLE WITHOUT THE WRITTEN PERMISSION OF DYTRAN INSTRUMENTS INC. IS PROHIBITED

REVISIONS

REV.	ECN	DESCRIPTION	BY/DATE	CHK	APPR
A	14027	INITIAL RELEASE	NDC 02/09/18	<i>W</i>	<i>AS</i>



DETAIL A SCALE 4 : 1

- 3 ARROW INDICATES DIRECTION OF POSITIVE OUTPUT.
  - 2 MATES WITH DYTRAN CABLE P/N 6330AXX.
  - 1. WEIGHT: 25 GRAMS, MAX
- NOTES: UNLESS OTHERWISE SPECIFIED

UNLESS OTHERWISE SPECIFIED:  
INTERPRET DIM & TOL PER ASME Y14.5M - 1994.  
REMOVE BURRS.  
COUNTERSINK INTERNAL THDS 90° TO MAJOR DIA.  
CHAM EXT THDS 45° TO MINOR DIA.  
THD LENGTHS AND DEPTHS ARE FOR MIN FULL THDS.  
DIMENSIONS APPLY AFTER FINISHING.

DECIMALS	METRIC	ANGLES
.XX ±.03	.X ± 0.8	±1°
.XXX ±.010	.XX ±0.25	

APPROVALS		DATE
ORIG	NDC	10/04/17
CHK	<i>W</i>	2/12/18
APP	<i>AS</i>	2/13/18

ALL MACHINED SURFACES. <sup>63</sup>✓  
TOTAL RUNOUT WITHIN .005.  
BREAK SHARP EDGES .005 TO .010.  
MACHINED FILLET RADII .005 TO .015.  
WELDING SYMBOLS PER AWS A2.4.  
ABBREVIATIONS PER MIL-STD-12.

DO NOT SCALE DRAWING

**MASTER COPY**  
DYTRAN INSTRUMENTS INC. Chatsworth, CA

TITLE: **OUTLINE/INSTALLATION DRAWING, MODEL 7586A2**

SIZE <b>B</b>	CAGE CODE <b>2W033</b>	DWG NO <b>127-7586A2</b>	REV <b>A</b>
---------------	------------------------	--------------------------	--------------

SCALE: 2:1 SHEET 1 OF 1

Model Number 7586A2	<b>PERFORMANCE SPECIFICATION</b>			DOC NO PS7586A2
	VibraScout 6D			REV A, ECN 14027, 02/13/18



- USB PROTOCOL
- MEMS TECHNOLOGY
- EMBEDDED MICROCONTROLLER
- HERMETICALLY SEALED
- ACCELERATION AND GYRO RESPONSE

**PHYSICAL**

	ENGLISH		SI	
Weight, Max	0.88	oz	25	grams
Connector [2]	1/4-28UNF		1/4-28UNF	
Material	Ti-6Al-4V		Ti-6Al-4V	

**ACCELEROMETER PERFORMANCE**

Accuracy +/-	2	%	2	%
Input Range +/-	14	g	137.3	m/s <sup>2</sup>
Frequency Response (3dB), Nominal [3]	0 - 1000		0 - 1000	
Output Noise, Max	0.01	g RMS	0.098	m/s <sup>2</sup>
Non-Linearity, Max	1	% F.S	1	% F.S
Cross Axis Sensitivity, Max	6	%F.S.	6	% F.S.

**GYROSCOPE PERFORMANCE**

Input Range +/-	6000	°/s	6000	°/s
Frequency Response +/-3dB	0-140		0-140	
Output Noise, Typical	10	°/s rms	10	°/s/√ Hz
Non-Linearity, Typical (@ 25C)	1	%F.S.	1	%F.S.
Zero-Rate Output +/-	5	°/s	5	°/s

**ENVIRONMENTAL**

Maximum Mechanical Shock	±3000	gpk	±98100	m/s <sup>2</sup> peak
Operating Temperature Range	-40 to +185		-40 to +85	
Seal	Hermetic		Hermetic	

**ELECTRICAL**

Operating Voltage	4.9 to 5.1	VDC	4.9 to 5.1	VDC
-------------------	------------	-----	------------	-----

**This family also includes:**

Model	Input Range (g)	Frequency response (Hz)	Non-Linearity (%F.S)	Max.Shock	Noise (µg/√Hz)

Refer to the performance specifications of the products in this family for detailed description.

**Device Features:**

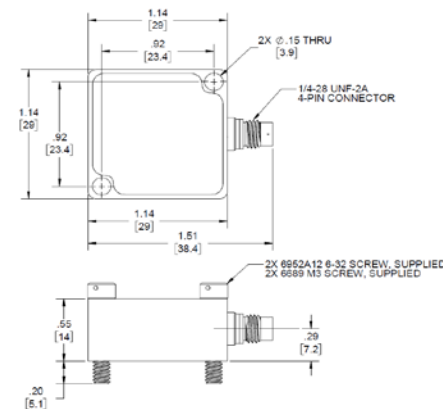
Dytran model 7586A2 is a unique and innovative solution for fast and cost effective data acquisition. The only addition that is required is a personal computer and it is ready to take data. Model 7586A is USB powered, so no additional external power supply is required. The software package supplied with each sensor allows for real time, three directional acceleration acquisition along with angular velocity measurement. The standard USB protocol handles all the sensor communications with the PC and provides the following information: storage of the acceleration, gyro, and inclination data, real-time scrolling plots of acceleration data with display of min, max, instant values. Logging of real time data to a binary file for high data compression and long recording durations. Post processing using the provided data reduction toolkit for overall FFT, CPB, and test log plots and ascii data.

**Supplied Accessories:**

- 1) Accredited calibration certificate (ISO 17025)
- 2) Mounting screw model 6952A12 (6-32), Qty 2 and 6689 (M3x0.5), Qty 2

**Notes:**

- [2] Mates with Dytran cable assembly 6330AXX ("XX = Length in FT)
- [3] Accelerometer bandwidth is 1.0KHz. Gyro Bandwidth is 140Hz
- [4] In the interest of constant product improvement, we reserve the right to change specifications without notice.
- [5] Minimum computer requirements: Intel Core i5, RAM:4GB, HDD:40GB, Win Vista-8 (32/64bit), USB2.0



Units on the line drawing are in inches. Refer to 127-7586A2 for more information.



21592 Marilla Street, Chatsworth, California 91311 Phone: 818.700.7818 Fax:818.700.7880 www.dytran.com  
For permission to reprint this content, please contact info@dytran.com