

# Neuron Signal Lamp

The Neuron Signal Lamp is a wirelessly activated warning system. It can be triggered by one or more rules configured on other sensors in the Neuron App, providing instant notifications to personnel in, for example, an industrial environment. In its normal state, the light displays green, and when an alert is triggered, it shifts to red.



## Features

- Choose between two modes, light on functionality, and timer functionality with adjustable activation time. Configuration in the Neuron App
- The Neuron Signal Lamp includes and is operated by a Neuron Actuator, which can be easily connected to the system using the QR code on the actuator. This ensures immediate and accurate registration in the app on your phone/PC/tablet
- The actuator communicates with your nearby Neuron Gateway which then again communicates with the Neuron Cloud

## Typical Applications

- Visible notification of Neuron alerts

## Neuron System Benefits

Sensor - Gateway - Cloud - App



- **Robust sensors**  
Suitable for rough environments
- **Wireless**  
Wireless sensor with integrated battery
- **Long lifetime**  
Typical 10 years battery life
- **Quick installation**  
Wireless, installed and operational in minutes
- **Collect and deliver data**  
Data delivery through API and app
- **Broad offering**  
More than 50 different sensor types available

## Essentials

Status light	Green - Normal state (Permanent light) Red - Alarm state (Permanent light)
Response time	Approx 5 sec
Update Frequency	Reports status every 15 min. Or immediately if activated

## General Description

The Neuron Signal Lamp is an easy-to-use device that provides a clear visual notification whenever a rule is triggered on a Neuron sensor. It can be linked to a single rule or to multiple rules across several sensors. This ensures that personnel on the shop floor receive instant notifications without needing to access the Neuron App or other connected systems.


Thanks to its wireless connectivity, the Neuron Signal Lamp is simple to install. It is supplied with a plug for connection to a 240 VAC outlet, but can also be hardwired to a permanent 240 VAC power supply.

## Principle of Operation

The Neuron Signal Lamp includes a Neuron Actuator. The Neuron Actuator communicates wirelessly with a Neuron Gateway, which in turn connects the device to the Neuron Cloud. Using the Neuron App, you can easily connect the Neuron Actuator to a notification channel. This channel is assigned as the receiver of one or more rules from Neuron sensors, and when those rules are triggered, the Neuron Signal Lamp is activated.

The Actuator can be in two modes:

- 1) When a rule is triggered, the lamp activates and remains on until it is manually reset in the Neuron App. This ensures that the alert is acknowledged by personnel before the signal lamp is deactivated.
- 2) When a rule is triggered, the lamp activates for a predefined duration and then automatically switches off.

The symbol  on the product label refers to this data sheet for important information regarding intended use, requirements for the operating environment etc. If the equipment is used in a manner not specified by El-Watch, the protection provided by the equipment may be impaired.

## Technical Specification

### Operational Specification

Status light*	Green - Normal state (Permanent light) Red - Alarm state (Permanent light)
Report Frequency	Reports status every 15 min. Or immediately when triggered
Response Time	Approx 5 sec
Operating voltage	240VAC Max. 10W
Operating Environment	Temperature: -40 - 75 °C Relative humidity: 0-80% (non-condensing) Altitude < 2000m above sea level Pollution degree 3 Indoor use, not for wet locations
Radio Frequency	863-870 MHz

\* Other configurations available on request. E.g. buzzer/siren

### Physical Specification

	Electronic box	Lamp
Mounting	Wall mount brackets included	Wall mount bracket included
Dimensions LxWxH	310x215x160mm	141x38mm 2 m cable
IP Grade	IP66	IP65

### Ordering Information

	Europe/The Middle East/Africa Part number
Neuron Signal Lamp	422792

### Regulatory

Certifications	Directives/Standard
	RED 2014/53/EU Radio Equipment Regulations 2017
Safety	IEC 61010-1:2010 IEC 61010-2-201:2017

## Installation

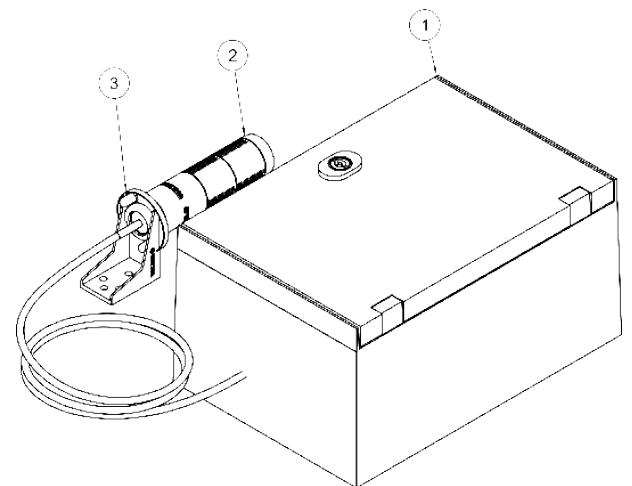
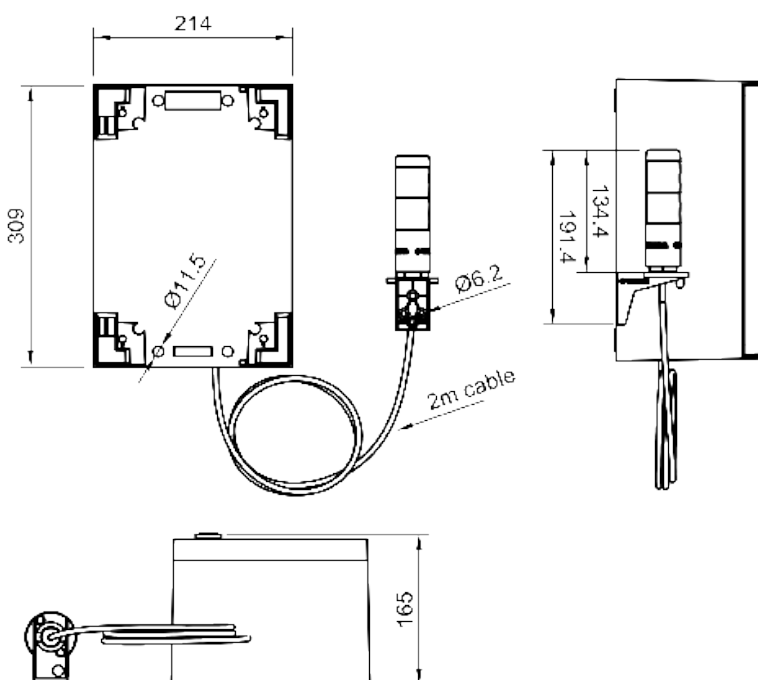
Both the electronic enclosure and the lamp are supplied with wall-mounting brackets for easy installation. The standard configuration includes an internal antenna, but if circumstances require, an external antenna can be easily fitted.

The Neuron Signal Lamp is delivered with a plug for connection to a 240 VAC outlet, but it can also be hardwired to a permanent 240 VAC power supply. The cable length between the control box and the lamp is 2 meters.

You can find all you need to get started with Neuron Sensors at our support site: [support.el-watch.com](https://support.el-watch.com)



## Dimensions



Item	Qty	Part
1	1	Electronics box, 310x215x160mm, included wall brackets
2	1	Signal lamp
3	1	Wall braket for signal lamp

