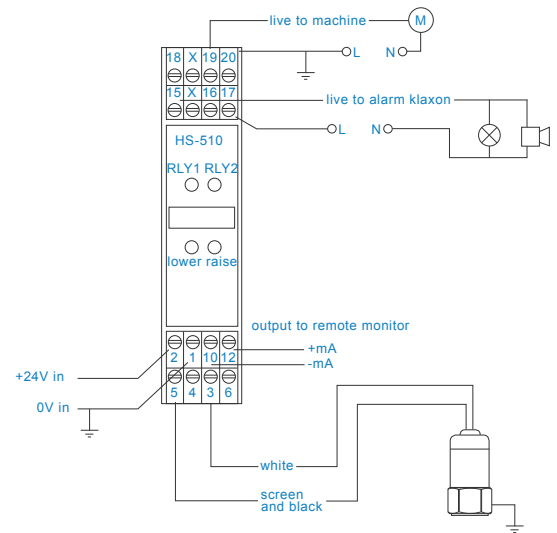


# HS-510 Vibration Trip Module

## with LED display

### Key Features

- Fully configurable
- Delay start-up
- Dual relays
- Various inputs
- Relay inhibit



### Technical Performance

Input	0-10VDC or 4-20mA from HS-420 or HS-530, HS-535 or HS-556
Power Requirements	16 to 30 VDC (HS-570 Power Supply Module)
Maximum Current	120 mA
Display Range Options	0-100 mm/sec (programmable) 0-100g (programmable) 0-100 °C
Display	3½ digit (Green LED)

### Mechanical

Case Material	Plastic
Mounting	DIN Rail TS35 (Top Hat)
Dimensions	114.5 x 99 x 22.5 mm (HxDxW)
Connections	Screw Clamp
Conductor Size	0.5 to 4.0 mm
Weight	140 gms (nom)

### Electrical

Set Points	Dual relays (front panel programmable)
Relay Rating	3 Amps at 240 Volts AC
Relay Status	N/O or vN/C Latching / Non Latching
Relay Delays	Up to 1200 secs
Outputs	4-20 mA or 0-10 Volts DC

### Environmental

Operating Temperature Range	0 to 60 °C
Installation Category (IEC664)	II
Equipment Class (IEC536)	III
EMC	EN61326-1:2013

### How To Order

<b>Product Prefix</b> HS - Hansford Sensors	<b>Product Series</b> 510 - Vibration Trip Module with LED display	<b>Maximum Input Range</b>	<b>Alarm Relay 1 / 2</b> L - Latching N - Non-Latching	<b>Delay Relay 1 / 2</b> 1 - 5 seconds 2 - 10 seconds 3 - 30 seconds 4 - 60 seconds									
<b>H</b>	<b>S</b>	<b>5</b>	<b>1</b>	<b>0</b>	<b>X</b>	<b>X</b>	<b>X</b>	<b>X</b>	<b>X</b>	<b>X</b>	<b>X</b>	<b>X</b>	<b>X</b>
<b>Input Source</b> A - Accelerometer M - Module T - Temperature sensor	<b>Input Type</b> I - 4-20mA V - 0-10V L - 0-10V for LM35 J - J Type Thermocouple K - K Type Thermocouple R - 2 Wire RTD S - 3 Wire RTD X - Other (specified with order)	<b>Isolated Output</b> I - 4-20mA V - 0-10V	Available in four factory configured versions for use in vibration monitoring systems :										
			HS-510AI .... For use with HS-420 4-20mA sensors										
			HS-510MV ... For use with HS-530 & HS-535 Series modules with 0-10V output										
			HS-510MI .... For use with HS-535 Series modules with 4-20mA output										
			HS-510TL .... For use with LM35 temperature sensors as used in HS-100T sensors										



[www.hansfordsensors.com](http://www.hansfordsensors.com)  
[sales@hansfordsensors.com](mailto:sales@hansfordsensors.com)



We reserve the right to alter the specification of this product without prior notice  
TS022.6