

More Precision



wireSENSOR WPS-K100

- Robust draw-wire sensors for outdoor applications
- Quick and flexible modifications for OEM purposes
 - Durable and robust sensor design (IP69K)
 - Compact sensor with large measuring range



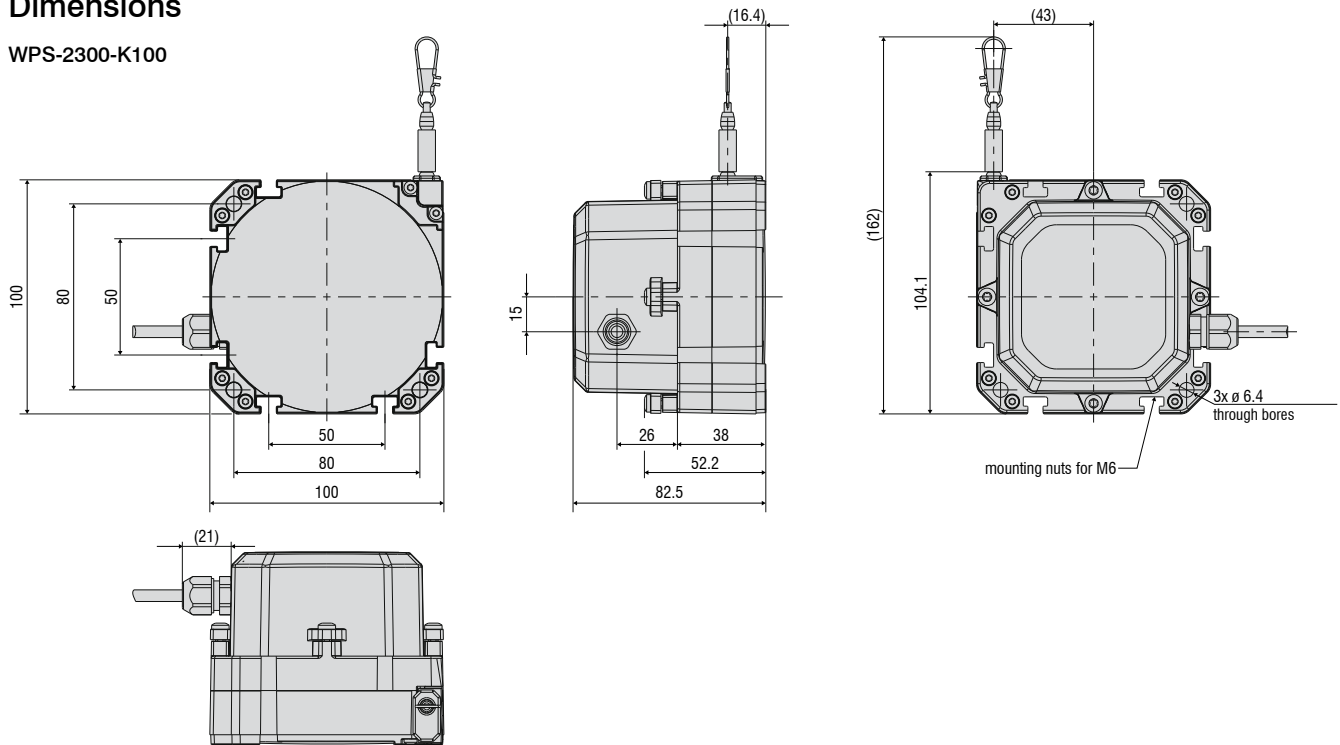
Model	WPS-2300-K100	WPS-5000-K100
Analog output	P / U / I	
Measuring range	2300 mm	5000 mm
Resolution	towards infinity	
Linearity	$\leq \pm 5.75 \text{ mm}$	$\leq \pm 12.5 \text{ mm}$
	$\leq \pm 0.25 \% \text{ FSO}$	
Sensor element	potentiometer	
Wire extension force (max)	8 N	
Wire retraction force (min)	2 N	
Wire acceleration (max)	5 g	
Material	Housing	glass-fiber reinforced plastic
	Draw-wire	polyamide-coated stainless steel ($\varnothing 0.61 \text{ mm}$)
Wire mounting	wire clip	
Mounting	through bores $\varnothing 6.4 \text{ mm}$ and mounting nuts (for M6) on the sensor housing	
Temperature range	Storage	$-40 \dots +85 \text{ }^\circ\text{C}$
	Operation	$-40 \dots +85 \text{ }^\circ\text{C}$
Connection	integrated cable, radial, 1 m long	
Shock (DIN-EN 60068-2-29)	50 g, 20 ms	
Vibration (DIN-EN- 60068-2-26)	20 g, 20 Hz – 2 kHz	
Protection class (ISO 20653)	IP69K	

FSO = Full Scale Output

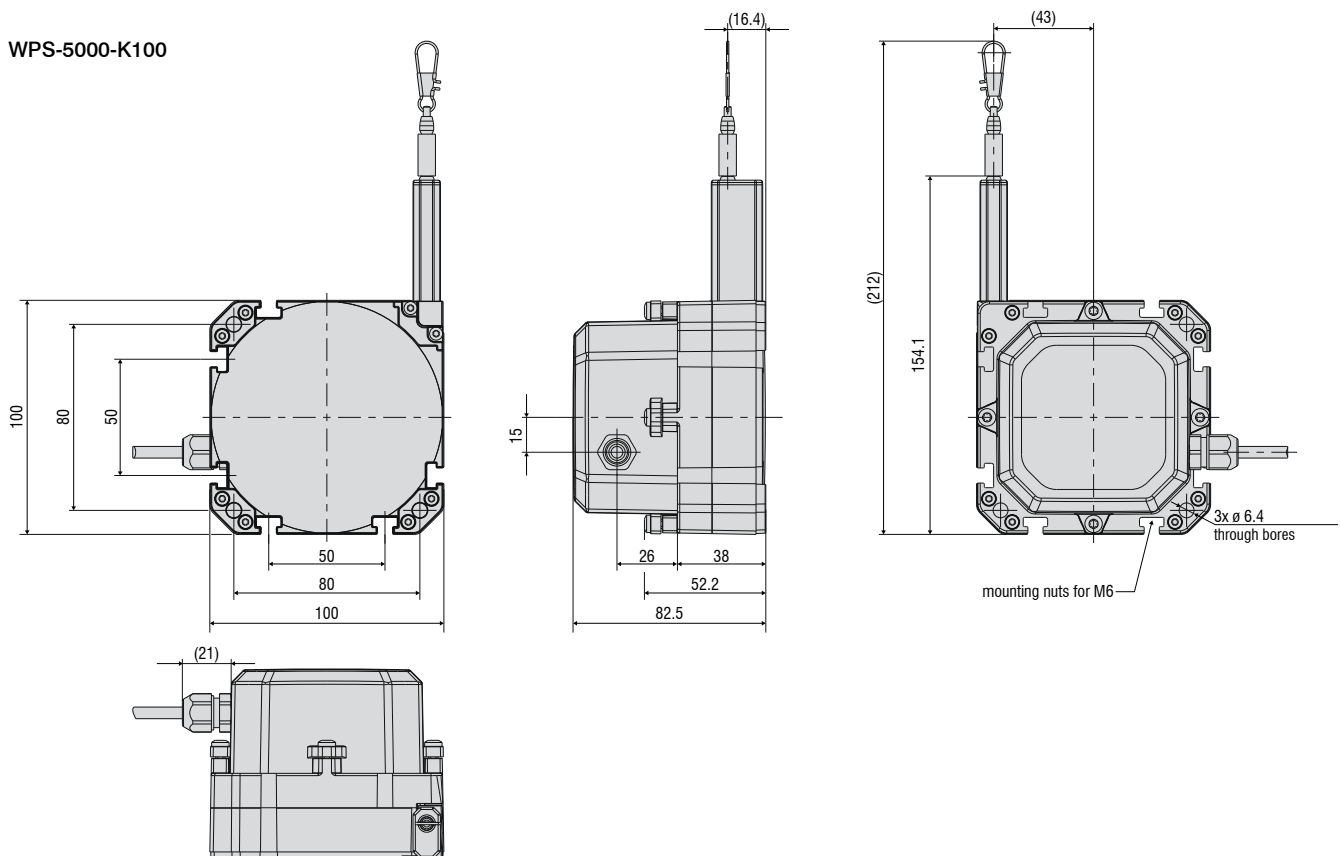
wireSENSOR WPS-K100

Dimensions

WPS-2300-K100



WPS-5000-K100



Micro-Epsilon

info@micro-epsilon.com
www.micro-epsilon.com

info@micro-epsilon.co.uk
www.micro-epsilon.co.uk

me-usa@micro-epsilon.com
www.micro-epsilon.com

certified DIN EN ISO 9001 : 2008
modifications reserved / Y9761668-A011039GKE