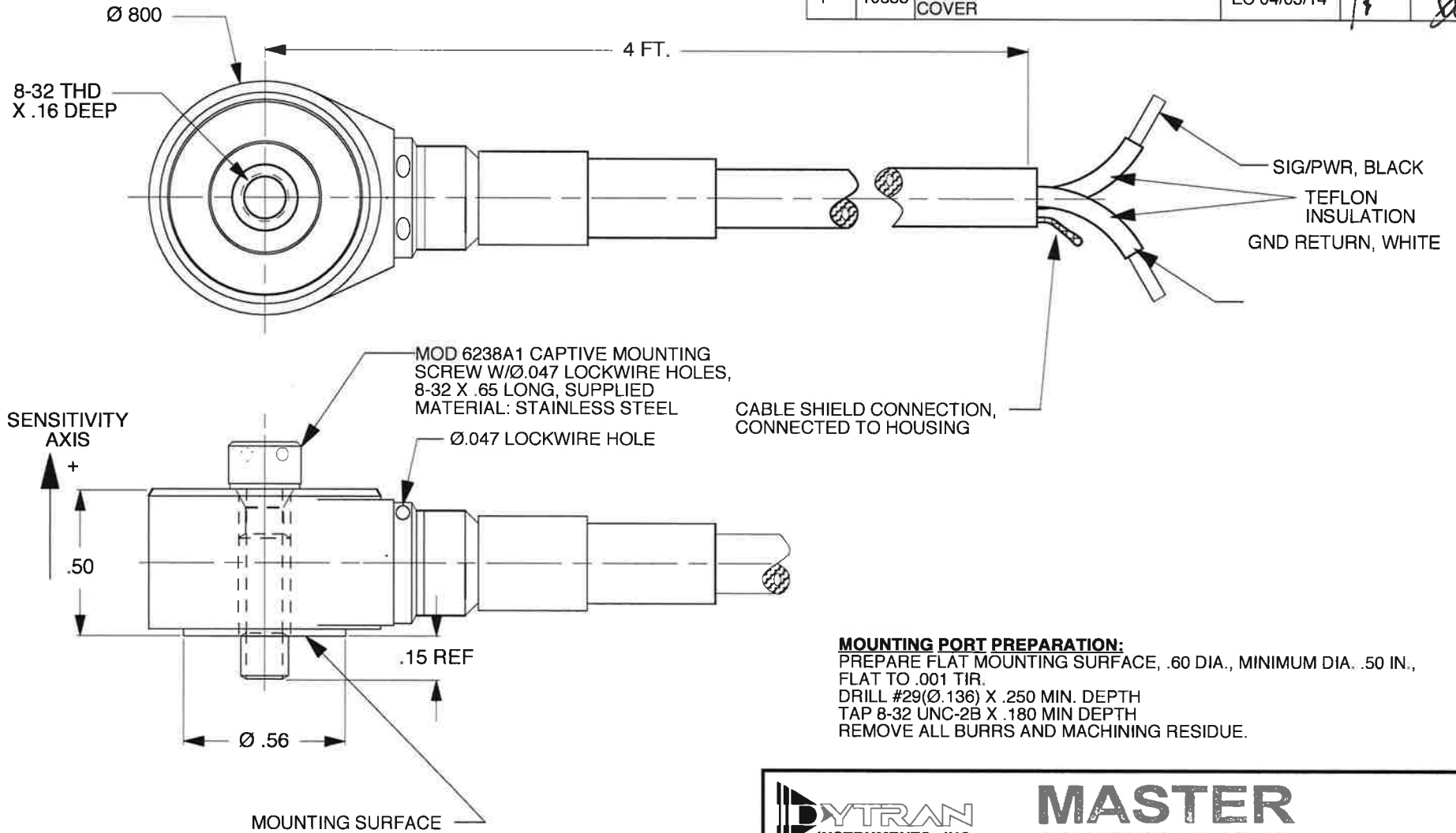


REV	ECN	DESCRIPTION	BY/DATE	CHK	APPR
E	8962	DELETED NAS CALLOUT MATERIAL IS: STAINLESS STEEL	AB 08/08/12	JS	DV
F	10883	UPDATED TO SHOW GROOVES ON COVER	EC 04/03/14	JS	DV



MOUNTING PORT PREPARATION:
 PREPARE FLAT MOUNTING SURFACE, .60 DIA., MINIMUM DIA. .50 IN.,
 FLAT TO .001 TIR.
 DRILL #29(Ø.136) X .250 MIN. DEPTH
 TAP 8-32 UNC-2B X .180 MIN DEPTH
 REMOVE ALL BURRS AND MACHINING RESIDUE.

- 3 RECOMMENDED TORQUE ON MOUNTING SCREW: 15 LB-INCHES .
- 2 WEIGHT: 23 GRAMS (LESS CABLE).
- 1 FOR BEST FREQUENCY RESPONSE, ACCELEROMETER MUST CONTACT MOUNTING SURFACE OVER ENTIRE MOUNTING SURFACE OF THE ACCEL.

EXCEPT AS OTHERWISE NOTED	
ALL DIMENSIONS IN INCHES TOLERANCE: .XXX = ± .XX = ± .01	
SURFACE FINISH EXCEPT AS NOTED <input checked="" type="checkbox"/>	MAX
BREAK EDGES TO DEBURR RADIUS OR CHAMFER	T.I.R.
THESE DIAS TO	
FILLETS -	MAX RAD.

		MASTER		CHATSWORTH, CA.	
SCALE 2X		REV -	DATE -	ECN	SEE REV BLK
DATE 5/2/97	PART NO.				
DRAWN N.C.	CHECKED N.C.	MAT'L			
APPROVED DV 12/04/10	NEXT ASSEMBLY		USED ON	3168F	
TITLE OUTLINE/INSTALLATION DRAWING, MODEL 3168F				DWG NO. 127-3168F	
SHEET 1 OF 1					

MODEL NUMBER 3168F	PERFORMANCE SPECIFICATION	DOC NO. PS3168F
	ACCELEROMETER, IEPE, SINGLE AXIS	REV A, ECN 12180, 08/19/15



- **RUGGED, LIGHTWEIGHT**
- **FLAT HIGH FREQUENCY RESPONSE**
- **CAPTIVE HOLE MOUNT**
- **CASE ISOLATED**
- **HERMETICALLY SEALED**

PHYSICAL

	ENGLISH		SI	
Weight, Less Cable, Max	0.81	oz	23	grams
Mounting Provision	8-32 Captive Hole		8-32 Captive Hole	
Material	300 SERIES SS		300 SERIES SS	
Housing Cable	Viton		Viton	

PERFORMANCE

Sensitivity +/- 5% [1]	10	mV/g	1.02	mV/ m/s ²
Range F.S. For ± 5 Volts Output	± 500	g pk	± 4905	m/s ² pk
Frequency Range ± 5%	1 to 20,000	Hz	1 to 20,000	Hz
Resonant Frequency	> 50	KHz	> 50	KHz
Linearity [2]	± 1	%F.S	± 1	%F.S
Transverse Sensitivity, Max.	5	%	5	%
Equivalent Electrical Noise Floor, Max	0.007	grms	0.07	m/s ² rms

ENVIRONMENTAL

Maximum Vibration	600	±gpk	5886	± m/s ² pk
Maximum Shock	3000	±gpk	29430	± m/s ² pk
Temperature Range (Operational)	-60 to +250	°F	-51 to +121	°C
Seal	Hermetic		Hermetic	
Base Strain Sensitivity	0.001	g/με	0.01	m/s ² / με

ELECTRICAL

Supply Current [3]	2 to 20	mA	2 to 20	mA
Compliance Voltage Range	18 to 30	VDC	18 to 30	VDC
Output Impedance, Typ.	100	Ω	100	Ω
Bias Voltage	7.5 to 9.5	VDC	7.5 to 9.5	VDC
Discharge Time Constant	0.5 - 1.2	sec	0.5 - 1.2	sec
Electrical Isolation, Min	10	GΩ	10	GΩ
Output Signal Polarity	Positive		Positive	

This family also includes:

Model	Sensitivity (mV/g)	Range (Gpeak)	Oper. Temp(°F)	Cable Length (FT)

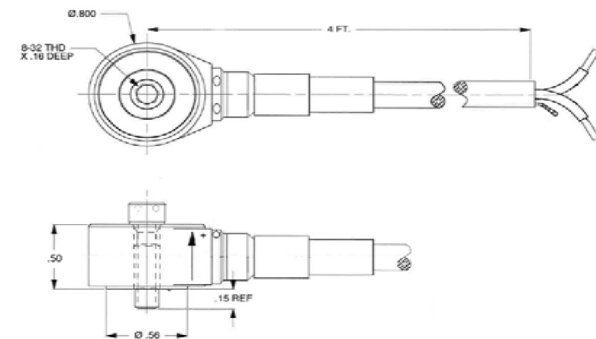
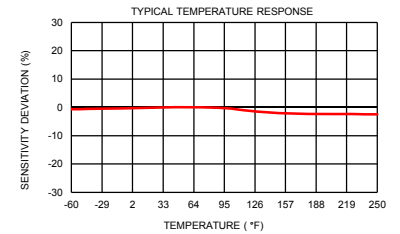
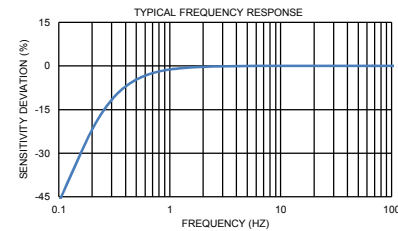
Please, refer to the performance specifications of the products in this family for detailed description.

Supplied Accessories:

- 1) Accredited Calibration Certificate (ISO 17025)
- 2) Mounting Screw, Model 6238A1, 8-32 UNRC-3A

Notes:

- [1] Measured at 100 Hz, 1 G rms per ISA RP 37.2.
- [2] Measured using zero-based best straight-line method, % of F.S. or any lesser range.
- [3] Do not apply power to this device without current limiting, 20 mA MAX. To do so will destroy the integral IC amplifier.



Units on the line drawing are in inches, units in brackets are in millimeters. Refer to 127-3168F for more information.



21592 Marilla Street, Chatsworth, California 91311 Phone: 818.700.7818 Fax:818.700.7880 www.dytran.com For permission to reprint this content, please contact info@dytran.com