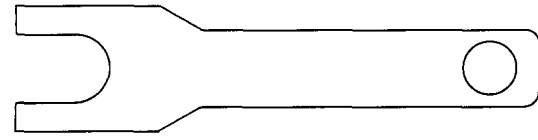
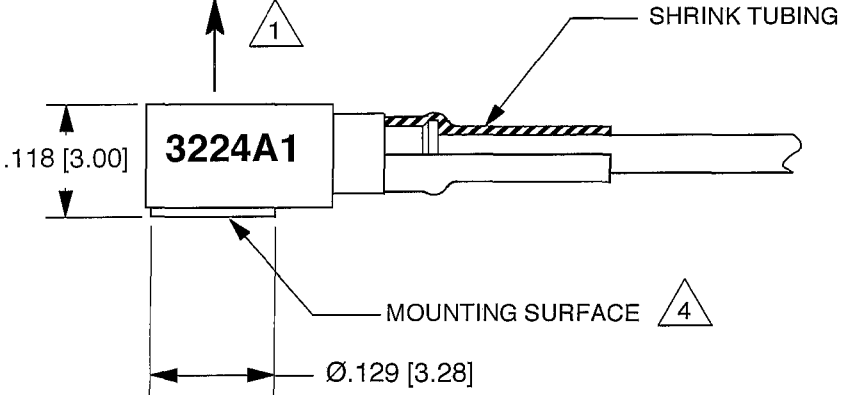
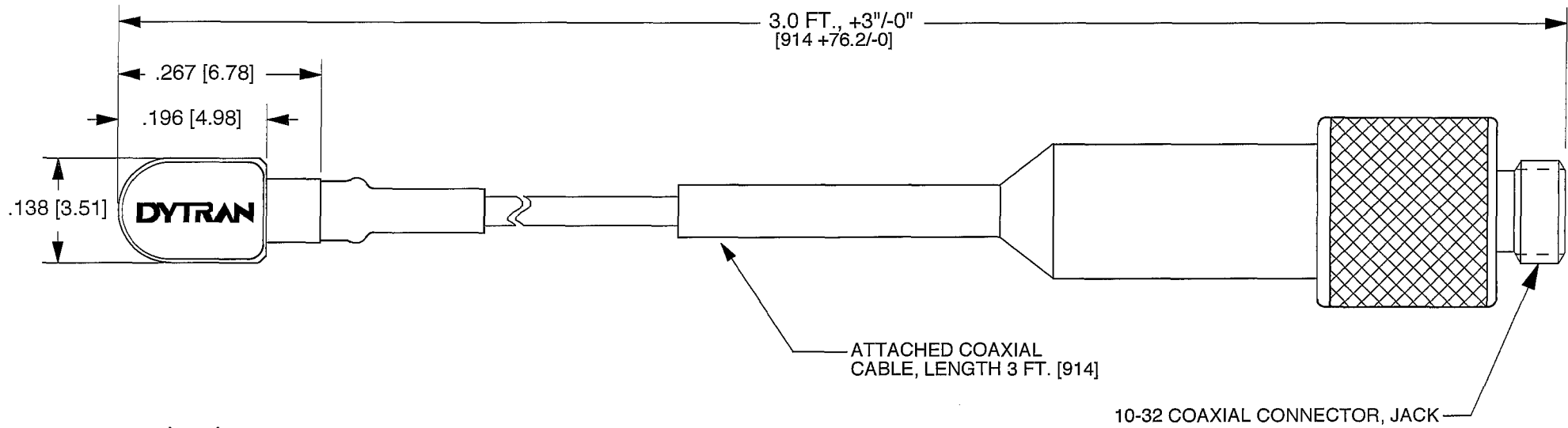
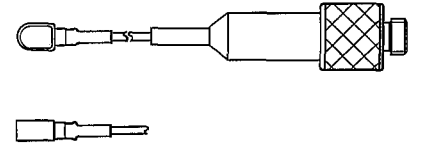


DYTRAN PROPRIETARY AND CONFIDENTIAL
 THE INFORMATION CONTAINED IN THIS DRAWING IS THE SOLE PROPERTY OF
 DYTRAN INSTRUMENTS, INC. AND ANY REPRODUCTION IN PART OR AS A
 WHOLE OR ANY OTHER DISSEMINATION OF THIS INFORMATION WITHOUT THE
 WRITTEN PERMISSION OF DYTRAN INSTRUMENTS, INC. IS PROHIBITED.

REV	ECN	DESCRIPTION	BY/DATE	CHK	APPR
C	8930	.27 [6.8] WAS: .247 [6.3]	LN, 07/30/12	JS	NC
D	9935	UPDATED VIEW OF CONNECTOR	AB 05/09/13	JS	RT
E	10349	REDIMENSIONED BODY OF 3224A1	NC/-09-09-13	MH	RT



MODEL 6725 REMOVAL
 TOOL, INCLUDED
 SCALE: 2.5X



ACTUAL SIZE

- 4 APPLY ADHESIVE TO THIS SURFACE TO MOUNT.
- 3. CASE AND CONNECTOR MATERIAL: TITANIUM.
- 2. WEIGHT LESS CABLE: 0.2 GRAMS.
- 1 ARROW INDICATES SENSE AND DIRECTION OF INPUT ACCELERATION FOR POSITIVE GOING OUTPUT SIGNAL.

UNLESS OTHERWISE SPECIFIED:
 DIMENSIONS ARE IN INCHES.
 DIMENSIONS IN BRACKETS [] ARE IN MILLIMETERS.
 TOLERANCES ARE:

INCHES	METRIC	ANGLES
.XX ±.03	.X ±0.8	±1°
.XXX ±.005	.XX ±0.25	

MASTER

ONLY IF IN RED

CHATSWORTH, CA.

SCALE 5X	DESIGN N.C.	DATE 1/15/08			
DRAWN N.C.	DATE 1/15/08	PART NO. MODEL 3224A1			
CHECKED CES	DATE 3/25/09	MAT'L			REV E
APPROVED ANS	DATE 3/23/09	NEXT ASSEMBLY	USED ON		
TITLE OUTLINE/INSTALLATION DRAWING, MODEL 3224A1 ACCELEROMETER, 10 mV/g			DWG NO. 127-3224A1		
			SHEET 1 OF 1		

MODEL NUMBER 3224A1	PERFORMANCE SPECIFICATION	DOC NO. PS3224A1
--------------------------------------	----------------------------------	-----------------------------------

IEPE ACCELEROMETER		REV H, ECN 11932, 05/01/15
---------------------------	--	----------------------------



- MINIATURE SIZE
- HIGH SENSITIVITY
- EPOXY SEALED CABLE CONNECTION

PHYSICAL

Weight, Less Cable
Mounting Provision
Connector [2]
Case Material
Sensing Element

ENGLISH			SI	
Weight, Less Cable	0.007	oz	0.2	grams
Mounting Provision	[1]		[1]	
Connector [2]	Integral cable		Integral cable	
Case Material	Titanium		Titanium	
Sensing Element	Planar Shear Piezoceramic		Planar Shear Piezoceramic	

PERFORMANCE

Sensitivity [3] [4]
Range F.S. For ± 5 Volts Output
Frequency Response, ±10%
Resonant Frequency, NOM
Equivalent Electrical Noise Floor
Amplitude Non-Linearity [5]
Transverse Sensitivity, Max.
Strain Sensitivity @250µε

Sensitivity [3] [4]	9 to 14	mV/g	.9 to 1.4	mV/ m/s ²
Range F.S. For ± 5 Volts Output	± 500	g	± 4905	m/s ²
Frequency Response, ±10%	0.3 to 20000	Hz	0.3 to 20000	Hz
Resonant Frequency, NOM	>95	kHz	>95	kHz
Equivalent Electrical Noise Floor	0.023	g rms	0.225	m/s ² rms
Amplitude Non-Linearity [5]	± 2%	%F.S	± 1%	%F.S
Transverse Sensitivity, Max.	5%		5%	
Strain Sensitivity @250µε	0.14	g/µε	1.37	m/s ² /µε

ENVIRONMENTAL

Maximum Vibration
Maximum Shock
Temperature Range
Seal
Magnetic Sensitivity at 100 Gauss

Maximum Vibration	900	grms	8820	m/s ² rms
Maximum Shock	3000	±gpk	29400	± m/s ² pk
Temperature Range	-60 to +300	°F	-51 to 149	°C
Seal	Laser welded, Epoxy Sealed Cable		Laser welded, Epoxy Sealed Cable	
Magnetic Sensitivity at 100 Gauss	0.000009	g/Gauss	0.8829	m/s ² /T

ELECTRICAL

Supply Current [6]
Compliance Voltage Range
Output Impedance TYP
Bias Voltage
Discharge Time Constant
Output Signal Polarity for Acceleration Toward Top
Case Grounding

Supply Current [6]	2 to 20	mA	2 to 20	mA
Compliance Voltage Range	18 to +30	V	18 to +30	V
Output Impedance TYP	100	Ω	100	Ω
Bias Voltage	+8 to +10	VDC	+8 to +10	VDC
Discharge Time Constant	0.9 to 1.5	sec	0.9 to 1.5	sec
Output Signal Polarity for Acceleration Toward Top	Positive		Positive	
Case Grounding	[7]		[7]	

This family also includes:

Model	Sensitivity (mV/g)	Range (Gpeak)	Resolution (Grms)	Oper. Temp(°F)	TC (sec)
3224A2	2 to 5	2500	0.03	-60 to 300	0.3 to 1.0
3224A3	5 to 10	1000	0.037	-60 to 300	1.1 to 1.5
3224A4	1 to 2.5	5000	0.045	-60 to 300	0.3 to 1.0

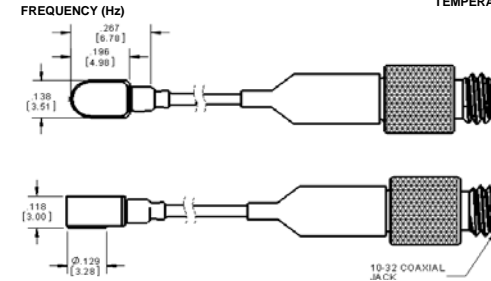
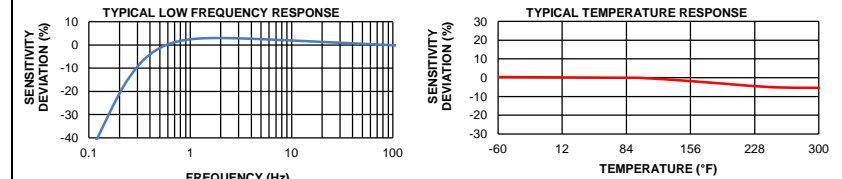
Please, refer to the performance specifications of the products in this family for detailed description.

Supplied Accessories:

- 1) Model 6725 installation removal wrench.
- 2) Sample of " Small Petro Mounting Wax".
- 3) Accredited calibration certificate (ISO 17025)

Notes:

- [1] Flat mounting surface for adhesive mount.
 - [2] 10-32 Jack at end of integral 3FT.cable
 - [3] Measured at 100 Hz, 1 g rms per ISA RP 37.2.
 - [4] Actual sensitivity is given on a calibration certificate traceable to ISO 17025, supplied with each instrument
 - [5] Measured using zero-based best straight-line method.
 - [6] Do not apply power to this device without current limiting, 20 mA MAX.
 - [7] To do so will destroy the integral IC amplifier.
- [7] Case is grounded to electrical signal/power ground.



Units on the line drawing are in inches, units in brackets are in millimeters. Refer to 127-3224A1 for more information.



21592 Marilla Street, Chatsworth, California 91311 Phone: 818.700.7818 Fax:818.700.7880 www.dytran.com
For permission to reprint this content, please contact info@dytran.com