

# Short S Series Slip Ring Assembly

## Models Short S4/X, S8/X

- 4 and 8 circuit slip rings
- Compact design
- Sealed against dust
- Color coded terminals
- Thin section bearings
- Stainless steel & Aluminum housing
- Instrumentation quality rings and brushes



## Description

Michigan Scientific's *Short S Series Slip Ring Assemblies* are utilized for a variety of applications requiring up to 8 circuit connections. They are designed to mount on the end of a rotating shaft and make electrical connection to strain gages, thermocouples, or other sensors that have been installed on rotating equipment. The slip ring brushes and rings are made of precious metals that minimize noise and enable the assemblies to be used for low level instrumentation signals. In addition, a stainless steel and Aluminum case provides protection from dust and other contaminants.

The *Short S Series* models are available in 4 and 8 circuit slip ring assemblies. Connections are made through color coded solder terminals located on the slip ring rotor and a connector on the slip ring stator. Permanently lubricated bearings eliminate the need for routine cleaning and maintenance. The lightweight and compact design of these slip ring assemblies make them ideal for use in applications where limited space is available.

## Specifications

	S4/X	S8/X
Circuits	4	8
Current Capacity per Circuit	500 mA	500 mA
Temperature Range*	30°F to 280°F (-1°C to 138°C)	
RPM Rating	12,000 RPM	12,000 RPM
Maximum Peak Noise**	0.1Ω	0.1Ω
Weight	2.6 oz. (74 g)	3.1 oz. (88 g)
Length (see back)	0.872 in (22.15 mm)	1.072 in (27.23 mm)
*The SHORT-S series are primarily used on engines in vehicles where space is limited. These applications are usually hot, high speed and high vibration. The slip rings are optimized for good electrical performance in these conditions. If your environment is colder, please specify your temperature range when ordering.		
** Resistance variation across any pair of slip ring contact		

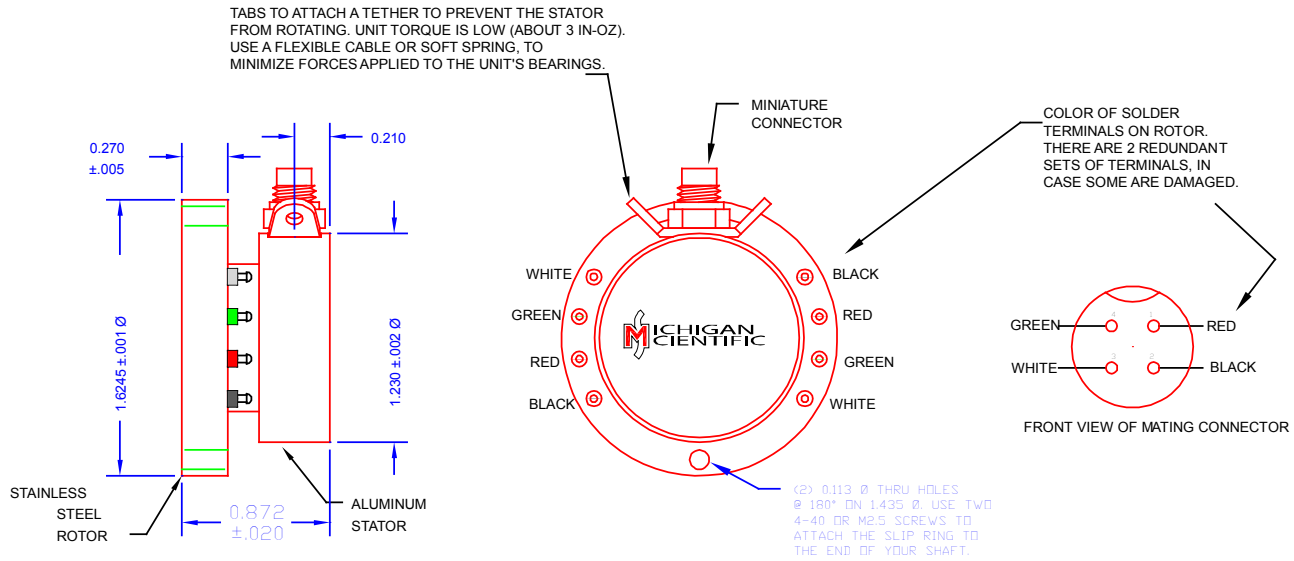
8500 Ance Road  
Charlevoix, MI 49720  
Tel: 231-547-5511  
Fax: 231-547-7070  
01-29-18  
Rev. A

**MICHIGAN SCIENTIFIC**  
corporation  
<http://www.michsci.com>  
Email: [mscinfo@michsci.com](mailto:mscinfo@michsci.com)

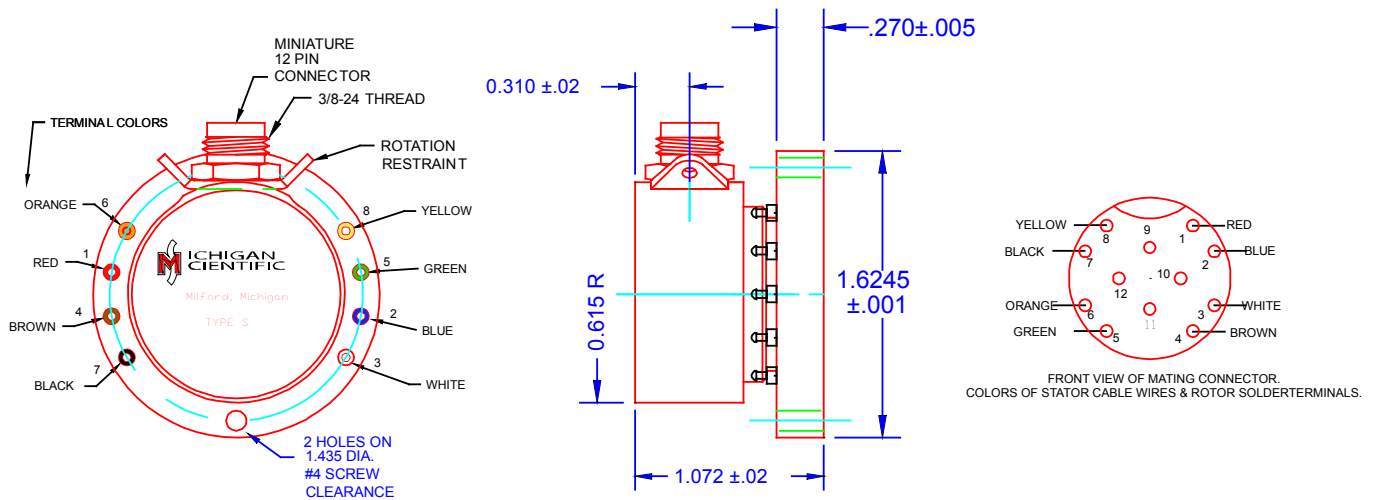
321 East Huron Street  
Milford, MI 48381  
Tel: 248-685-3939  
Fax: 248-685-5406

# Short S Series Slip Ring Assembly

## Short S4/X Configuration



## Short S8/X Configuration



## Mounting

These models can easily be mounted to the end of a shaft. Refer to the literature on *S Series Slip Ring Assemblies* for a detailed drawing and description of the mounting procedure.

Contact Michigan Scientific for applications in which the slip ring assemblies are subjected to extreme vibration.

## Ordering Options

For information regarding slip ring accessories, refer to Tech Note 7 section of the catalog.

8500 Ance Road  
Charlevoix, MI 49720  
Tel: 231-547-5511  
Fax: 231-547-7070  
01-29-18  
Rev. A

**MICHIGAN SCIENTIFIC**  
corporation  
<http://www.michsci.com>  
Email: [mcsinfo@michsci.com](mailto:mcsinfo@michsci.com)

321 East Huron Street  
Milford, MI 48381  
Tel: 248-685-3939  
Fax: 248-685-5406