

PROPRIETARY AND CONFIDENTIAL

THE INFORMATION CONTAINED IN THIS DRAWING IS THE SOLE PROPERTY OF DYTRAN INSTRUMENTS INC. ANY REPRODUCTION IN PART OR AS A WHOLE WITHOUT THE WRITTEN PERMISSION OF DYTRAN INSTRUMENTS INC. IS PROHIBITED

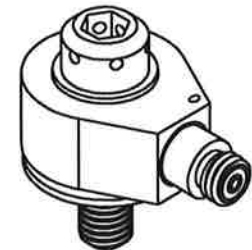
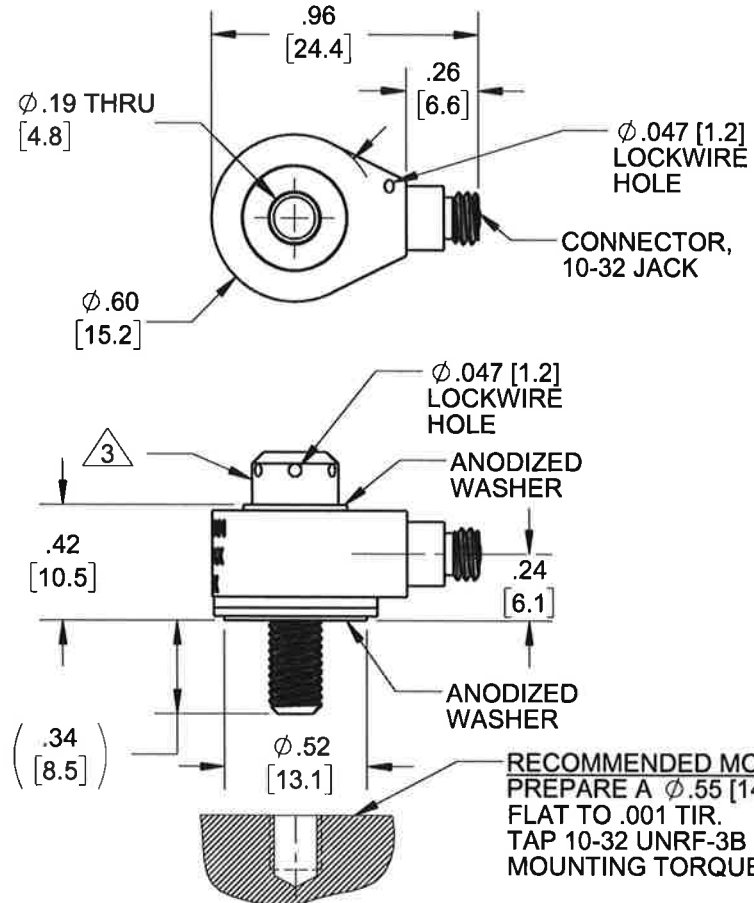
REVISIONS

REV	ECN	DESCRIPTION	BY/DATE	CHK	APPR
B	12441	ADDED 3215A2	LN 1/14/16	AS	Em

MODEL	SENSITIVITY
3215A1	10 mV/g
3215A2	50 mV/g

MOUNTING SCREW,
10-32

INSULATING SLEEVE,
HEAT SHRINK



3 MOUNTING SCREW, MODEL 6368, 10-32 X .75 [19.1] LONG, WITH INSULATING SLEEVE, SUPPLIED

2. HOUSING/CONNECTOR MATERIAL: TITANIUM ALLOY

1. WEIGHT: 8.0 GRAMS, MAX.

NOTES: UNLESS OTHERWISE SPECIFIED

CONTRACT NO.



TITLE:
**OUTLINE/INSTALLATION DWG,
MODELS 3215A1**

APPROVALS		DATE
ORIG	LN	12/23/14
CHK	AS	2/5/16
APP	Em	2/11/16
APP		

SIZE	CAGE CODE	DWG. NO.	REV
A	2W033	127-3215A1	B

SCALE: NONE SOLIDWORKS SHEET 1 OF 1

UNLESS OTHERWISE SPECIFIED:

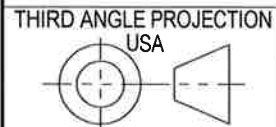
INTERPRET DIM & TOL PER ASME Y14.5M - 1994.
REMOVE BURRS.
COUNTERSINK INTERNAL THDS 90° TO MAJOR DIA.
CHAM EXT THDS 45° TO MINOR DIA.
THD LENGTHS AND DEPTHS ARE FOR MIN FULL THDS.
THDS PER MIL-S-7742.
DIMENSIONS APPLY AFTER FINISHING.

ALL MACHINED SURFACES. TOTAL RUNOUT WITHIN .005. BREAK SHARP EDGES .005 TO .010. MACHINED FILLET RADII .005 TO .015. WELDING SYMBOLS PER AWS A2.4. ABBREVIATIONS PER MIL-STD-12.

UNLESS OTHERWISE SPECIFIED: DIMENSIONS ARE IN INCHES. DIMENSIONS IN BRACKETS [] ARE IN MILLIMETERS TOLERANCES ARE:

INCHES METRIC ANGLES
.XX ± .03 .X ± 0.8 ± 1°
.XXX ± .010 .XX ± 0.25

MATERIAL
FINISH
DO NOT SCALE DRAWING





- MINIATURE SIZE
- HERMETICALLY SEALED
- GROUND ISOLATED

PHYSICAL

Weight, Max
Connector, Side Mounted
Mounting Provision, Thru Hole
Material, Housing/Connector
Sensing Element
Element Style

ENGLISH		SI	
0.28	oz	8.0	grams
10-32 Jack		10-32 Jack	
Ø.19	Inches	Ø 4.8	mm
Titanium Alloy		Titanium Alloy	
Quartz		Quartz	
Shear		Shear	

PERFORMANCE

Sensitivity, ±5% [1]
Range F.S for ± 5 Volts Output
Frequency Response, ±5%
Resonant Frequency
Equivalent Electrical Noise Floor
Linearity [2]
Maximum Transverse Sensitivity
Strain Sensitivity @ 250µε

10	mV/g	1.0	Hz
± 500	g	± 4905	kHz
1.6 to 10,000	Hz	1.6 to 10,000	m/s ² rms
>50	kHz	>50	% F.S.
0.005	Grms	0.05	%
± 1%	% F.S.	± 1%	m/s ² /µε
5	%	5	
0.003	g/µε	0.03	

ENVIRONMENTAL

Maximum Vibration
Maximum Shock
Temperature Range
Seal

± 1000	Gpeak	± 9810	°C
± 2500	Gpeak	± 24525	
-60 to +300	°F	-51 to +149	
Hermetic		Hermetic	

ELECTRICAL

Supply Current Range [3]
Compliance Voltage Range
Output Impedance, Typ
Bias Voltage
Discharge Time Constant
Isolation, Case to mounting surface, Min.

2 to 20	mA	2 to 20	mA
+18 to +30	VDC	+18 to +30	VDC
100	Ω	100	Sec
7.5 to 9.5	VDC	7.5 to 9.5	GΩ
0.3 to 2.0	Sec	0.3 to 2.0	
10	GΩ	10	

This family also includes:

Model	Sensitivity (mV/g)	Frequency Response, ±5 % (Hz)	Time Constant (Sec)	Operating Temp (°F)

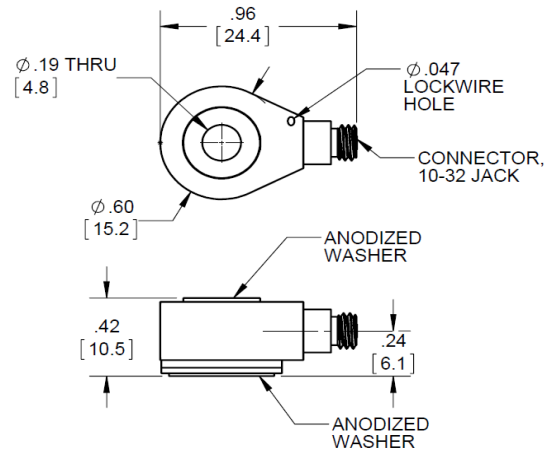
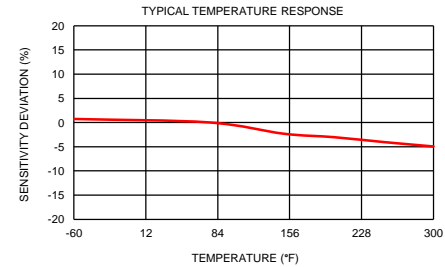
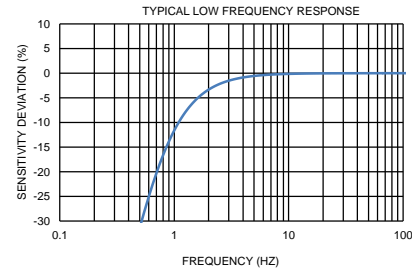
Refer to the performance specifications of the products in this family for detailed description.

Supplied Accessories:

- 1) Accredited calibration certificate (ISO 17025)
- 2) Mounting Screw, Model 6368, Qty: 1

Notes:

- [1] Measure at 100Hz, 1 Grms per ISA RP 37.2
- [2] Measure using zero-based straight line method, % of F.S. or any lesser range.
- [3] Do not apply power to this system without current limiting, 20 mA MAX. To do so will destroy the IC charge amplifier.
- [4] In the interest of constant product improvement, we reserve the rights to change the specifications without notice.



Units on the line drawing are in inches, units in brackets are in millimeters. Refer to 127-3215A1 for more information.